



SQ Submerged
Qualified

www.dentisimplant.co.kr/eng/

 **DENTIS**



Tel. +82-1899-2804 | Fax. +82-53-583-2806
99, Seongseoseo-Ro, Dalseo-Gu, Daegu, Korea



Tel. +1-323-677-4363 | Fax. +1-323-677-4366
11095 Knott Ave. ABC, Cypress CA 90630



Tel. +021-5111-3828 | Fax. +021-5111-3828
上海市长宁区中山西路933号2205室



Tel. +34 91 072 62 27 | <https://dentiseurope.com/>
Travesía C. Doctor Fleming, 16



Tel. +351 21 2696 700 | www.dentisportugal.com
Taguspark, Av. Prof. Dr. Cavaco Silva C1 Piso 2B, 2740-120 Porto Salvo

© 2024 DENTIS CO., LTD.
All Right Reserved. Specifications are subject to change without notice.
Trademarks are the property of DENTIS CO., LTD. Or their respective owners.

D-C-SQSL-V7-202408-ENGG

Stress-free implant placement with Qualified result.

Crafts Positive Change

SQ Implant

C-SLA™ Surface

Best Performance!

Mass Benefit!

We provide the mass-prestige product for the best dental clinical performance.


Crafts positive change with SQ.

Don't hesitate!

Just enjoy your positive change.

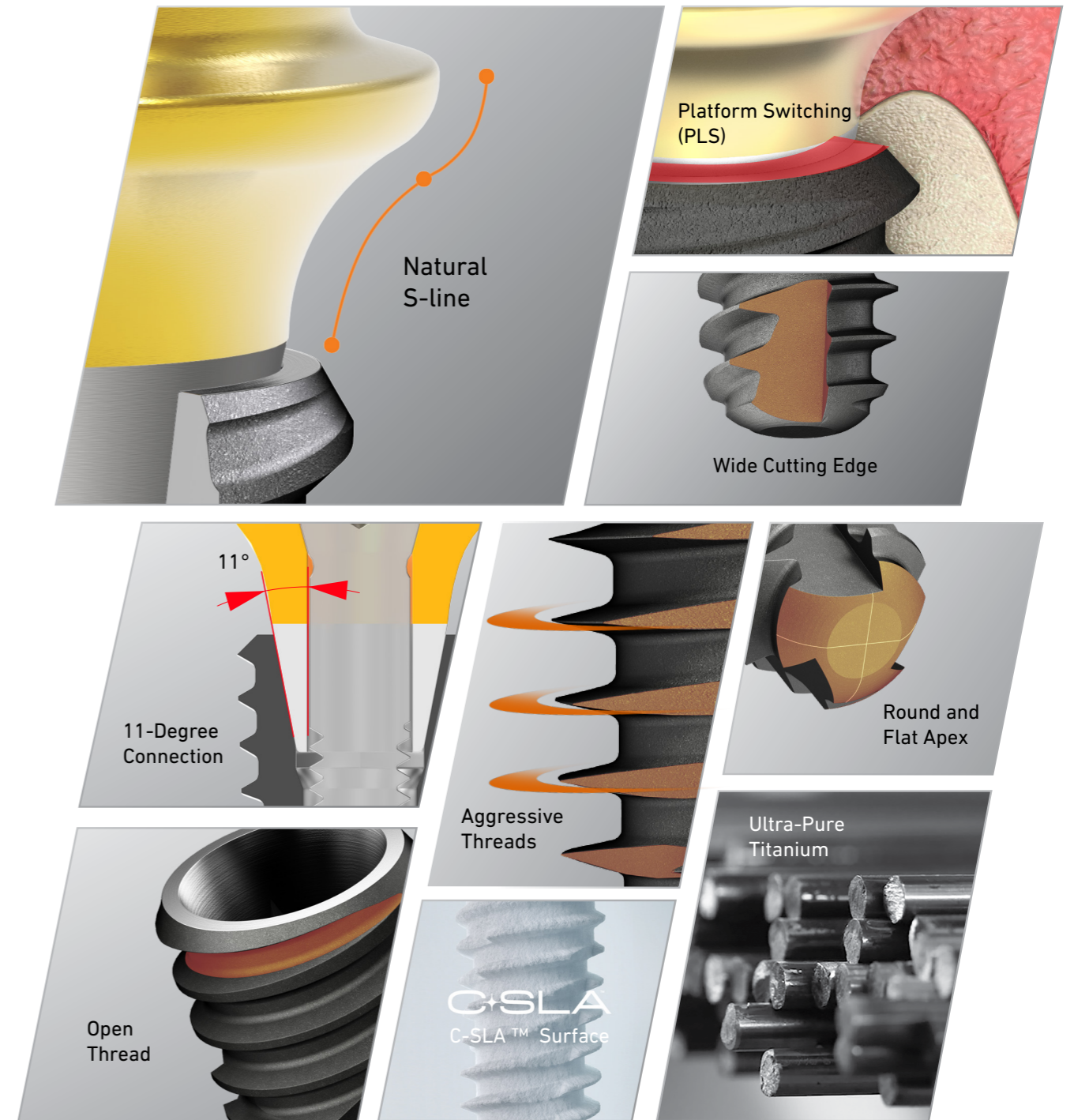
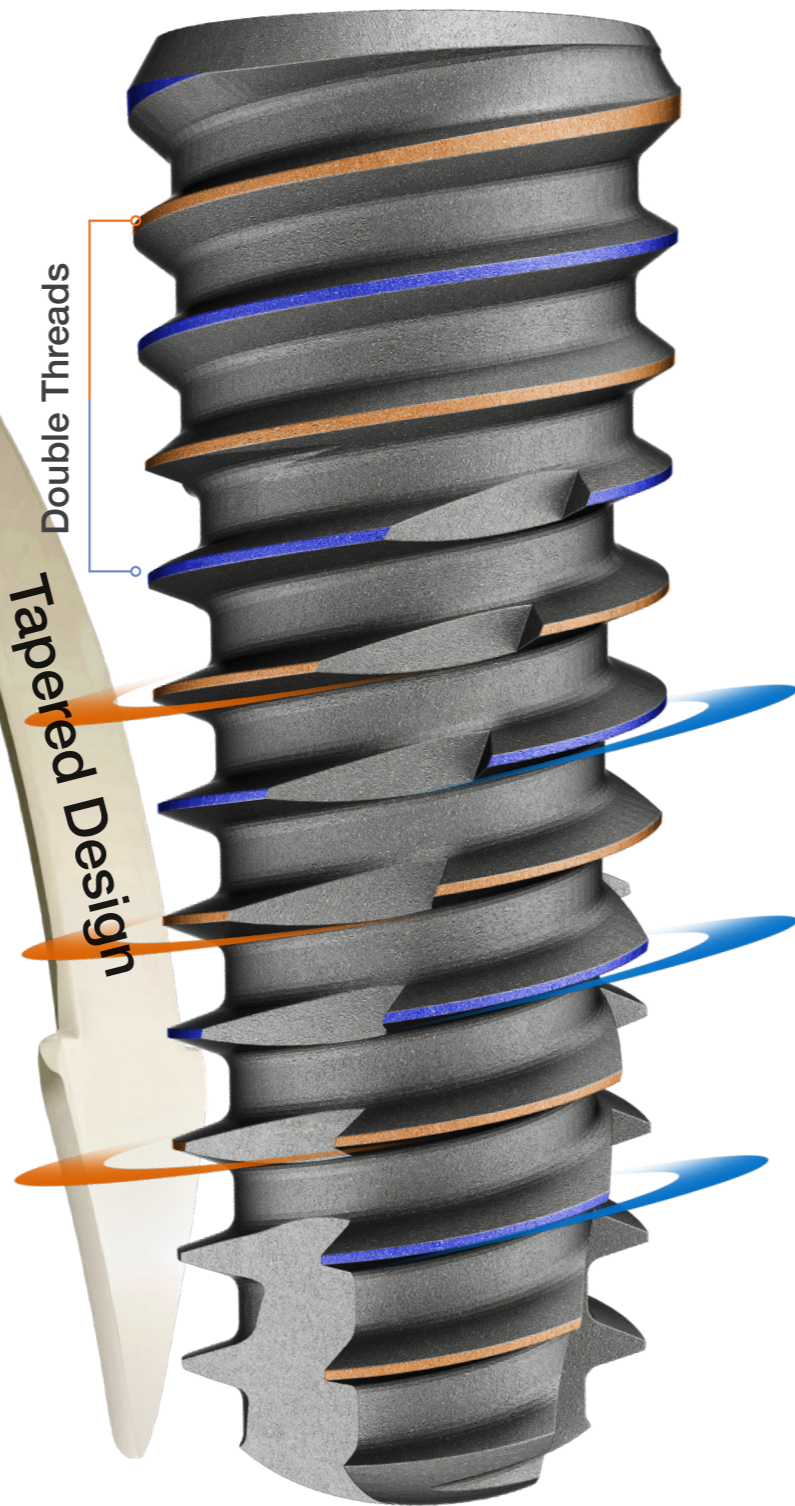


SQ Digital Implant System



Get benefits from fully digital guided implant placement

- Complete digital line-up : SQ Full Guide, SQ Sinus Guide and SQ Mini Guide
- Open library system from popular CAD software (Ex. 3Shape, Exocad and so on)

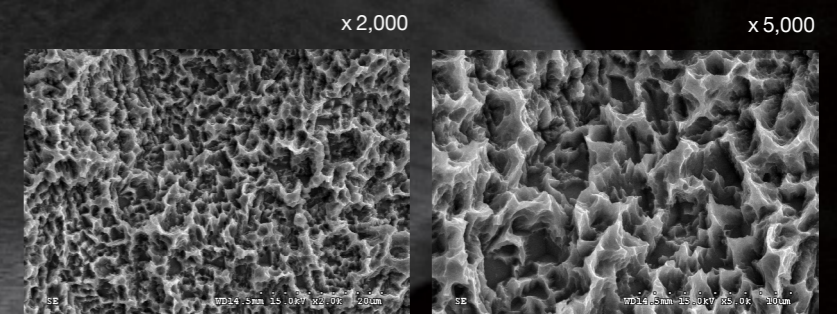


Contents

Contents	4
SQ Characteristics	6
SQ Wide	8
SQ Package	10
SQ-SL Fixture Specifications	12
SQ-SL Fixture Line-Up	13
Cover Screw & Healing Abutment	16
Prosthetic Flow Diagrams for SQ Sole System	20
Prosthetic Flow Diagrams for SQ Couple System	26
Prosthetic Flow Diagrams for SQ sub Octa System	42
Multi-Unit Abutment	44
Prosthetic Flow Diagrams for MU Abutment System	45
Prosthetic Flow Diagrams for SQ O-Ring(Overdenture) System	50
Diagrams for Digital System	54
Multi Use Coping System	60
SQ Surgical Manual	62
Drilling & Fixture Placement Concept	63
SQ Surgical Kit	65
SQ Surgical Instrument	67
Guide Wheel KIT	71
Multi Use Coping KIT	72

S.L.A. Surface

Excellent Osseo-Integration with SLA surface



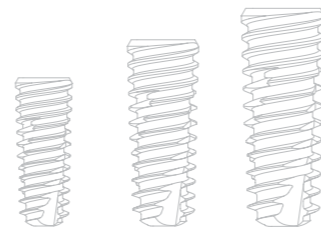
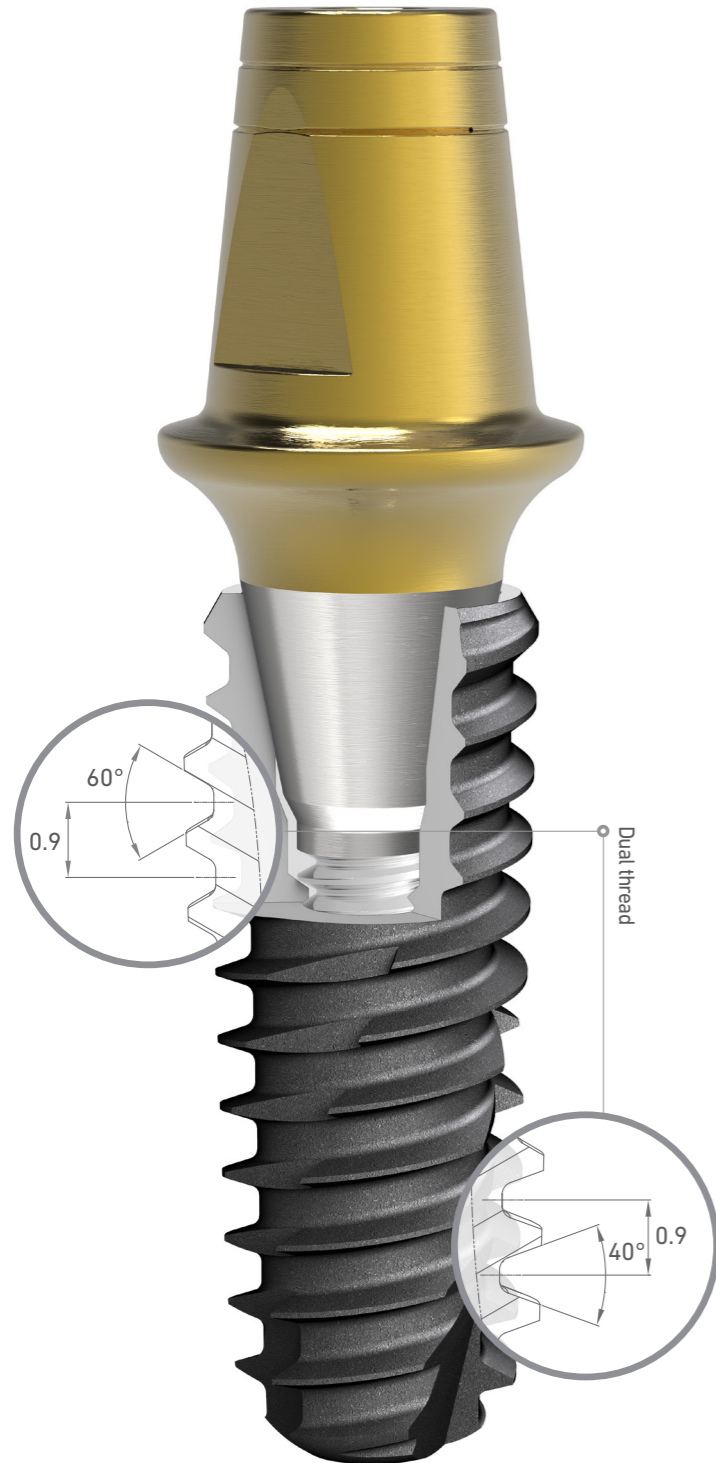
Quality Control

Clean implant with automatic cleaning system



Vacuum cleaning machine

SQ Characteristics



SQ Submerged Qualified

Simple Placement
but,
Strong Osseointegration



High Initial Stability

- Tapered design
- Dual & Open Thread



Smoother Insertion

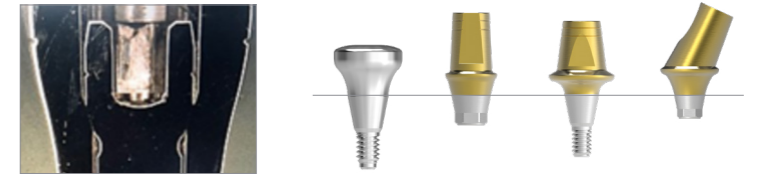
- 3 Blade & Helical wide cutting edge



Simple & Easy Depth Control

- Fixture Length (8~14mm) : 0.5mm shorter than the written length
- Self-tapping figure may allow easier depth control without additional drilling

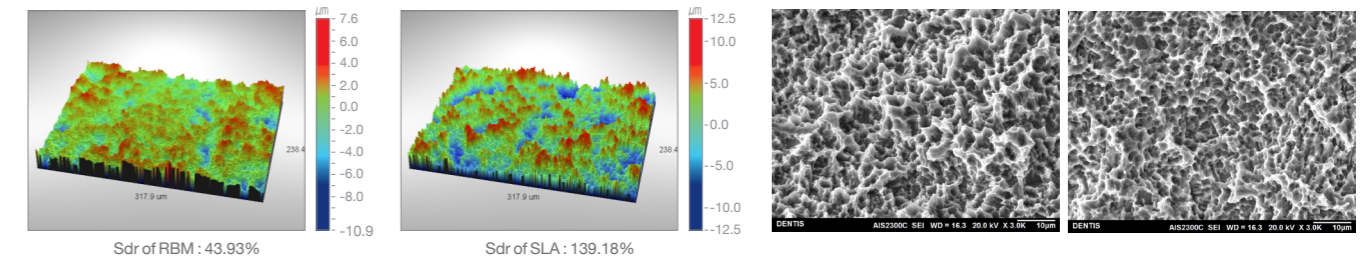
Improved Joint-Stability



< compatible with the whole OneQ & SQ >

S.L.A Surface

- 200% enhanced surface area compare to RBM Surface



Strict Cleaning

- 30 and more steps of automatic cleaning system including vacuum cleaning machine
- Strict quality control and safe S,L,A surface for residue Acid

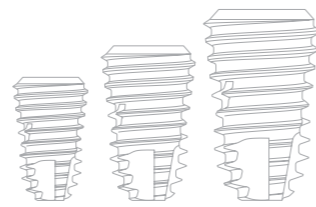
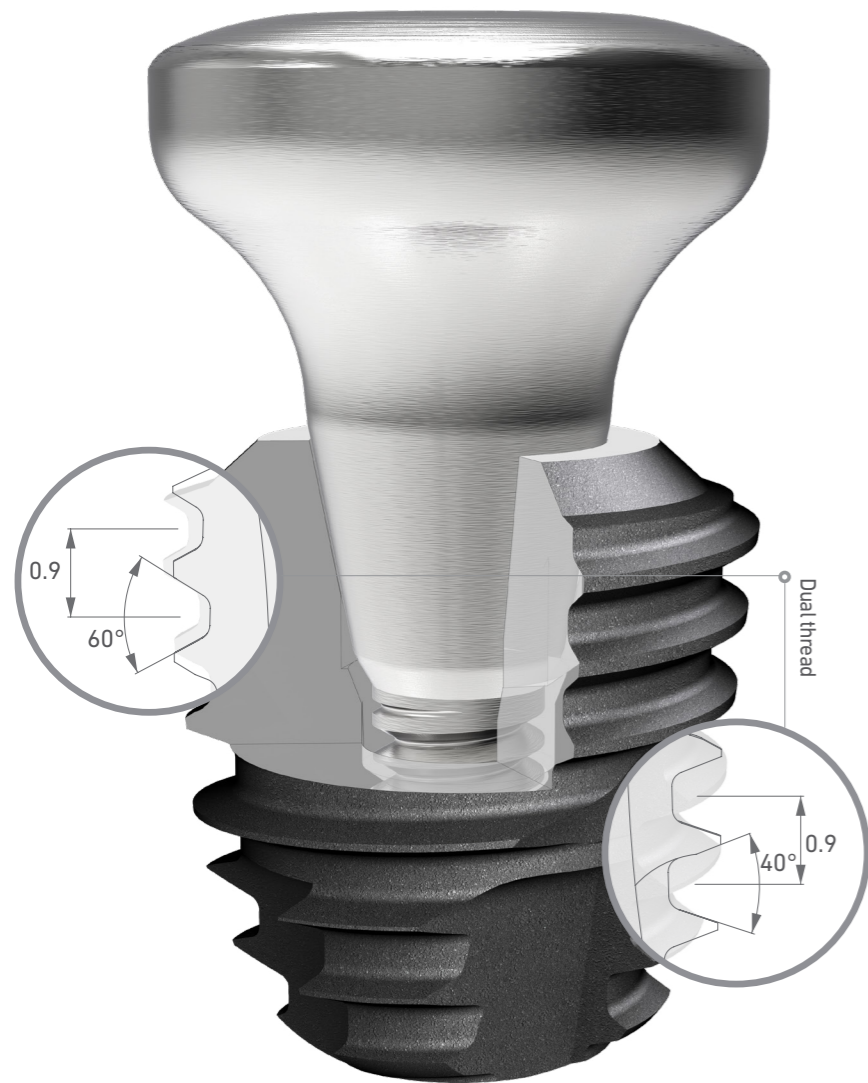


Powerful Drilling

- Perfect drilling performance by strong cutting force
- Autograft Harvesting
- Integral shaped stopper



SQ Wide



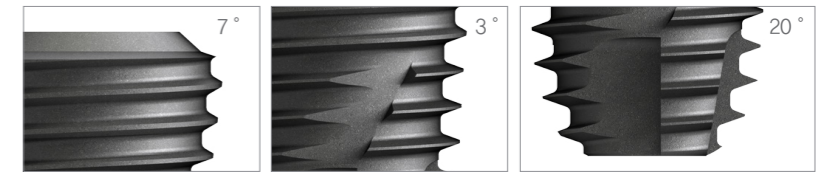
SQ Submerged Qualified

Rescue solution in soft bone and extraction site



High Initial Stability

- Tapered design (7° / 3° / 20°)
- Reversed Tapered Bevel



Smoother Insertion

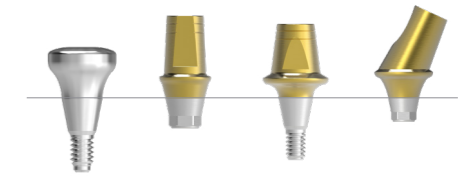
- 4 Blade & Helical wide cutting edge



Simple & Easy Depth Control

- Fixture Length (8~12mm) : 0.5mm shorter than the written length

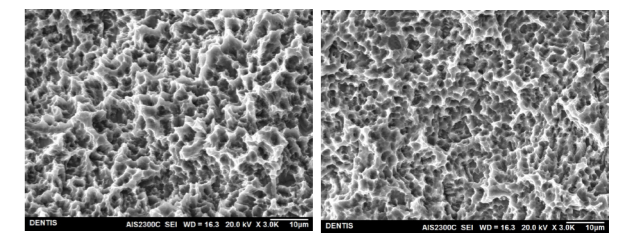
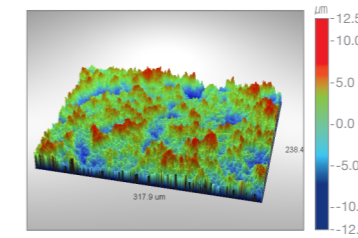
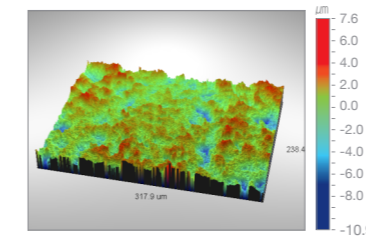
Improved Joint-Stability



< compatible with the whole OneQ & SQ >

S.L.A Surface

- 200% enhanced surface area compare to RBM Surface

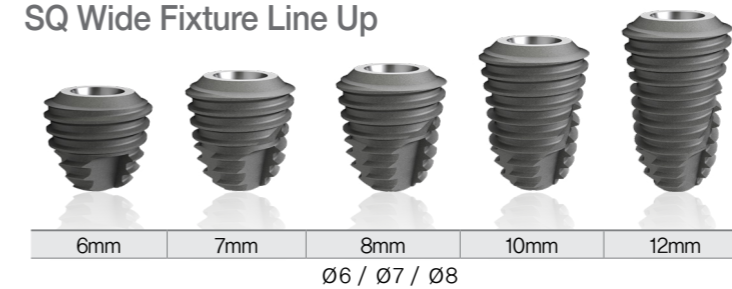


Strict Cleaning

- 30 and more steps of automatic cleaning system including vacuum cleaning machine
- Strict quality control and safe S.L.A surface for residue Acid

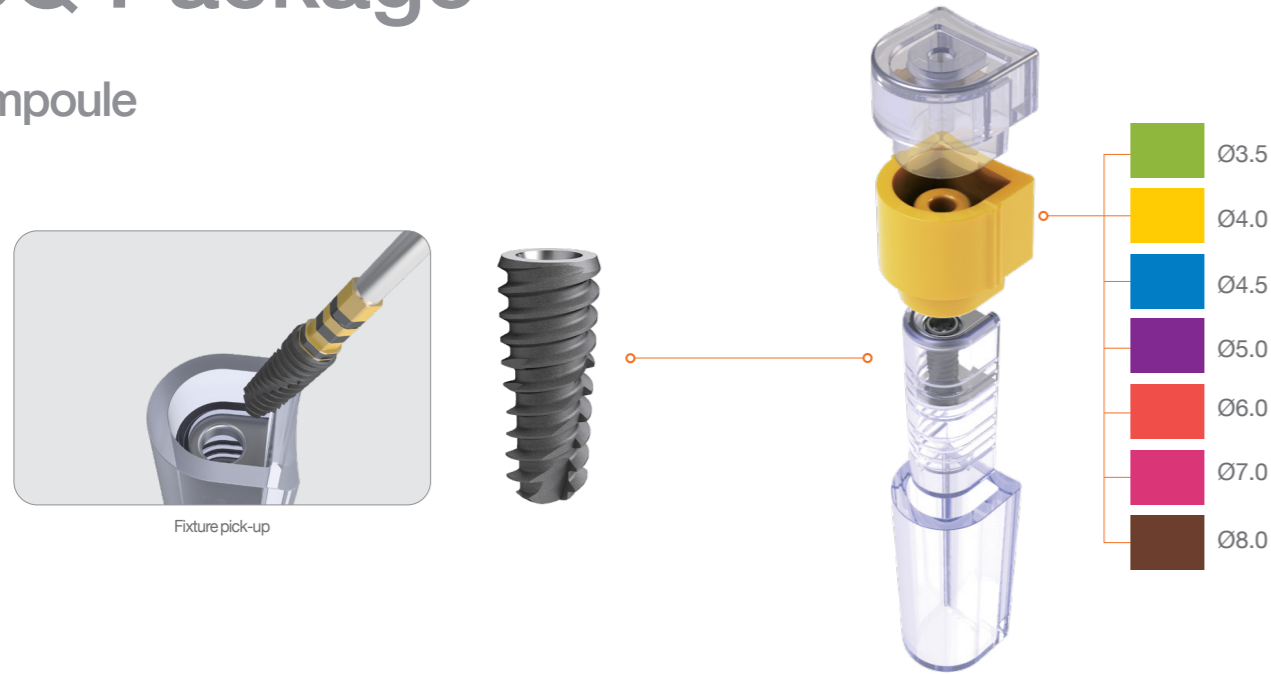


SQ Wide Fixture Line Up

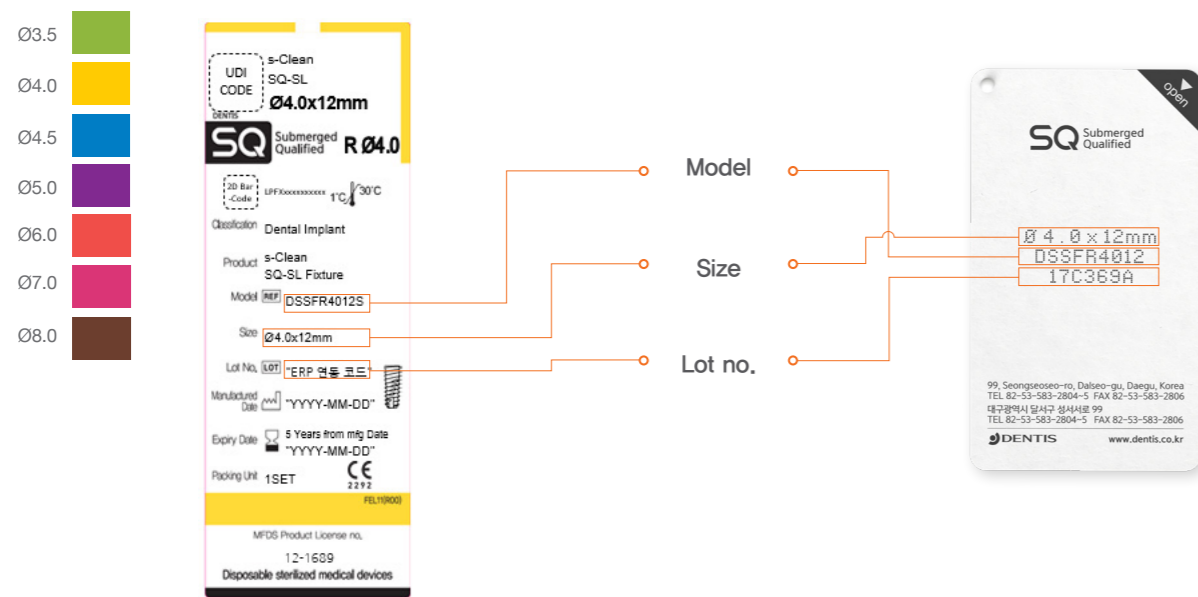


SQ Package

Ampoule

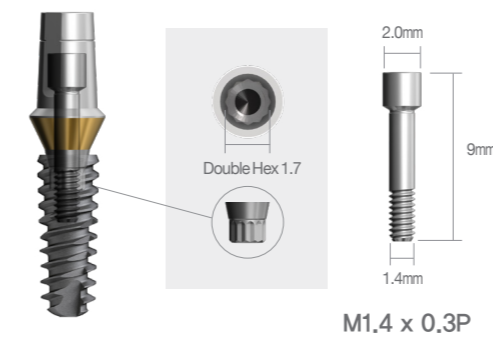


Fixture Package



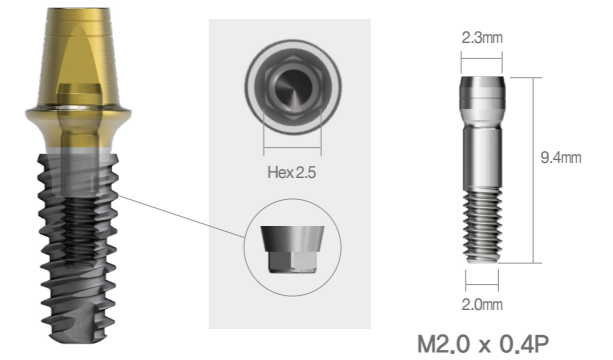
Abutment Spec

Narrow



※Recommended torque : 20Ncm

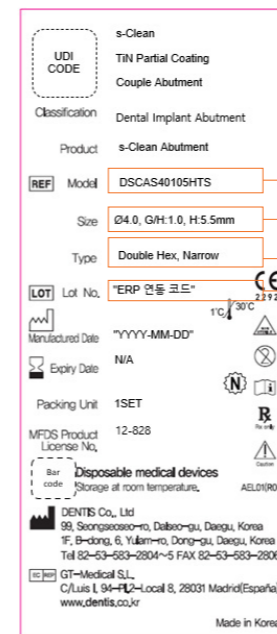
Regular/Wide



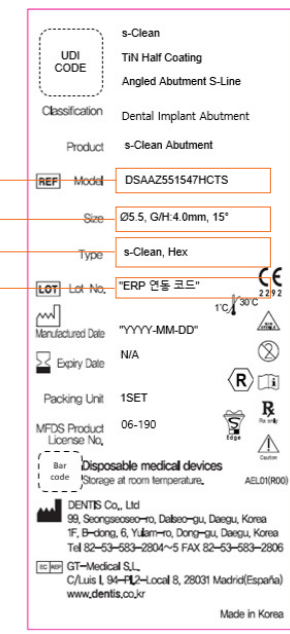
※Recommended torque : 30Ncm

Abutment Package

Narrow



Regular / Wide



SQ-SL Fixture Specifications



A	Diameter	3.0	3.5	4.0	4.5	5.0	6.0	7.0	8.0	
	Fixture									
B	Length	8/10/12/14	7 / 8 / 10 / 12 / 14			6 / 7 / 8 / 10 / 12				
C	Hex	1.7 Double Hex			2.5Hex					
D	Color									
	Guideline	Anterior	Anterior	Anterior	Premolar	Molar	Molar	Molar	Molar	

※ Length : 8~14mm - 0.5mm shorter than written length
 ※ Nominal diameter does not correspond to the actual dimension

SQ-SL Fixture Line-Up

Narrow

Fixture Diameter	Length	Code No.
Ø3.0	8.0mm	DSSFN3008S
	10.0mm	DSSFN3010S
	12.0mm	DSSFN3012S
	14.0mm	DSSFN3014S

※ Set Code(S) : Fixture + Cover Screw[DSOFCS]

Fixture Diameter	Length	Code No.
Ø3.5	7.0mm	DSSFN3507S
	8.0mm	DSSFN3508S
	10.0mm	DSSFN3510S
	12.0mm	DSSFN3512S
	14.0mm	DSSFN3514S

※ Set Code(S) : Fixture + Cover Screw[DSOFCS]

Regular

Fixture Diameter	Length	Code No.
Ø4.0	7.0mm	DSSFR4007S
	8.0mm	DSSFR4008S
	10.0mm	DSSFR4010S
	12.0mm	DSSFR4012S
	14.0mm	DSSFR4014S

* Set Code(S) : Fixture + Cover Screw[DSCSM]

Fixture Diameter	Length	Code No.
Ø4.5	7.0mm	DSSFR4507S
	8.0mm	DSSFR4508S
	10.0mm	DSSFR4510S
	12.0mm	DSSFR4512S
	14.0mm	DSSFR4514S

* Set Code(S) : Fixture + Cover Screw[DSCSM]

Fixture Diameter	Length	Code No.
Ø5.0	7.0mm	DSSFR5007S
	8.0mm	DSSFR5008S
	10.0mm	DSSFR5010S
	12.0mm	DSSFR5012S
	14.0mm	DSSFR5014S

* Set Code(S) : Fixture + Cover Screw[DSCSM]

Wide

Fixture Diameter	Length	Code No.
Ø6.0	6.0mm	DSSFW6006S
	7.0mm	DSSFW6007S
	8.0mm	DSSFW6008S
	10.0mm	DSSFW6010S
	12.0mm	DSSFW6012S

* Set Code(S) : Fixture + Cover Screw[DSCSM]

Fixture Diameter	Length	Code No.
Ø7.0	6.0mm	DSSFW7006S
	7.0mm	DSSFW7007S
	8.0mm	DSSFW7008S
	10.0mm	DSSFW7010S
	12.0mm	DSSFW7012S

* Set Code(S) : Fixture + Cover Screw[DSCSM]

Fixture Diameter	Length	Code No.
Ø8.0	6.0mm	DSSFW8006S
	7.0mm	DSSFW8007S
	8.0mm	DSSFW8008S
	10.0mm	DSSFW8010S
	12.0mm	DSSFW8012S

* Set Code(S) : Fixture + Cover Screw[DSCSM]

Cover Screw & Healing Abutment

► A/D : Abutment Diameter ► P/H : Post Height ► G/H : Gingiva Height

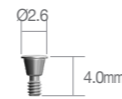
Cover Screw | Narrow Recommended torque - 10Ncm



DSOFCS + DSSFN3510

Code No.

DSOFCS



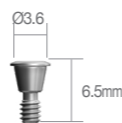
Cover Screw | Regular / Wide



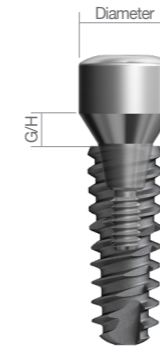
DSCSM + DSSFR4510

Code No.

DSCSM

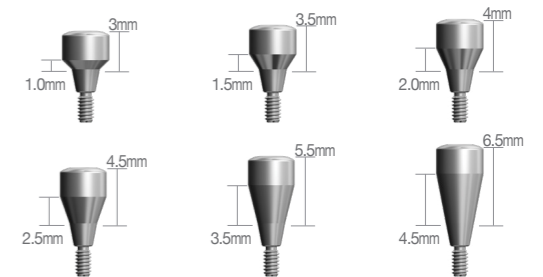


Healing Abutment | Narrow Recommended torque - 10Ncm



DSHS4015 + DSSFN3510

Abutment Diameter	G/H	Code No.
Ø4.0	1.0mm	DSHS4010
	1.5mm	DSHS4015
	2.0mm	DSHS4020
	2.5mm	DSHS4025
	3.5mm	DSHS4035
	4.5mm	DSHS4045

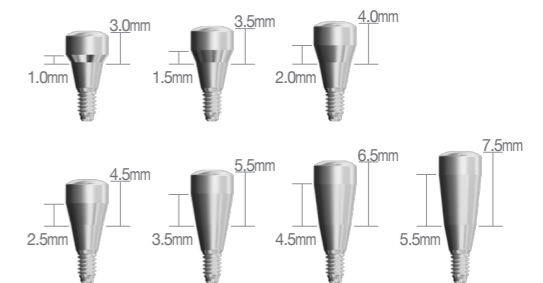


Healing Abutment | Regular / Wide

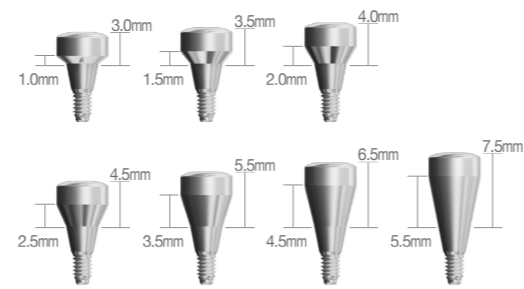


DSH4520 + DSSFR4510

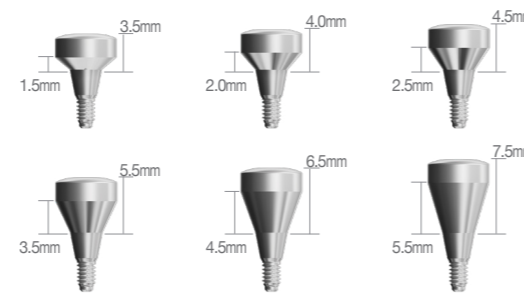
Abutment Diameter	G/H	Code No.
Ø4.5	1.0mm	DSH4510
	1.5mm	DSH4515
	2.0mm	DSH4520
	2.5mm	DSH4525
	3.5mm	DSH4535
	4.5mm	DSH4545
	5.5mm	DSH4555



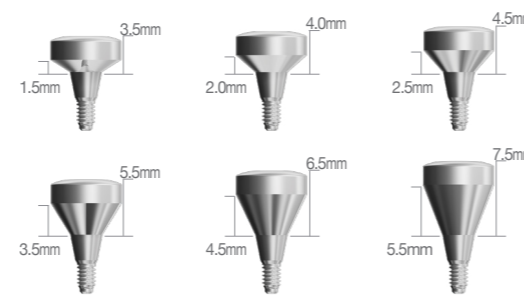
Abutment Diameter	G/H	Code No.
Ø5.5	1.0mm	DSH5510
	1.5mm	DSH5515
	2.0mm	DSH5520
	2.5mm	DSH5525
	3.5mm	DSH5535
	4.5mm	DSH5545
	5.5mm	DSH5555



Abutment Diameter	G/H	Code No.
Ø6.5	1.5mm	DSH6515
	2.0mm	DSH6520
	2.5mm	DSH6525
	3.5mm	DSH6535
	4.5mm	DSH6545
	5.5mm	DSH6555



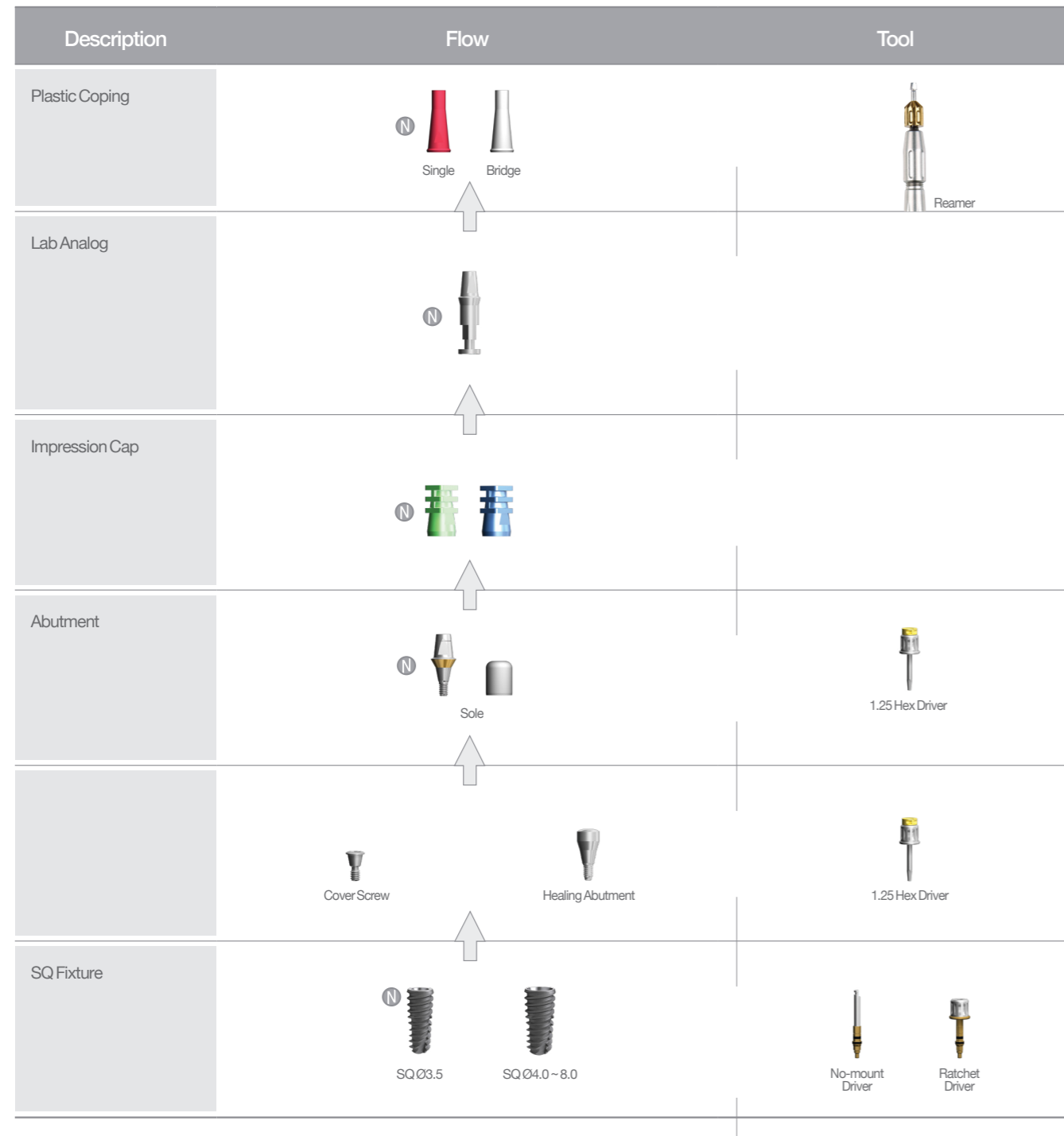
Abutment Diameter	G/H	Code No.
Ø7.5	1.5mm	DSH7515
	2.0mm	DSH7520
	2.5mm	DSH7525
	3.5mm	DSH7535
	4.5mm	DSH7545
	5.5mm	DSH7555



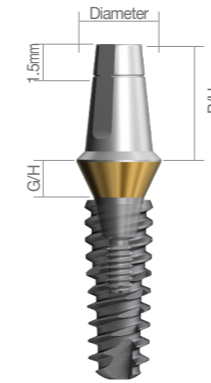
Prosthetic Flow Diagrams for SQ Sole System

Abutment Level Impression / Cemented Restoration

N Narrow Type



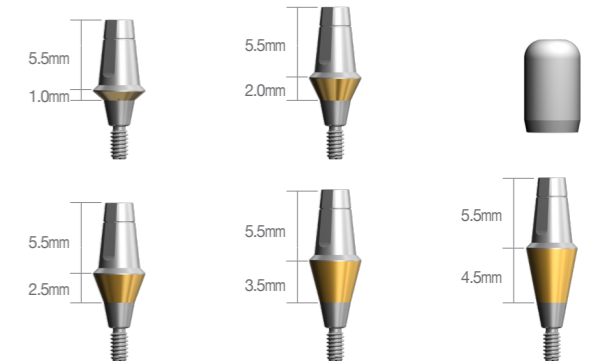
Sole Abutment | Narrow Recommended torque - Narrow size : 20Ncm / Regular, wide size : 30Ncm



DSSAS40205TS + DSSFN3510

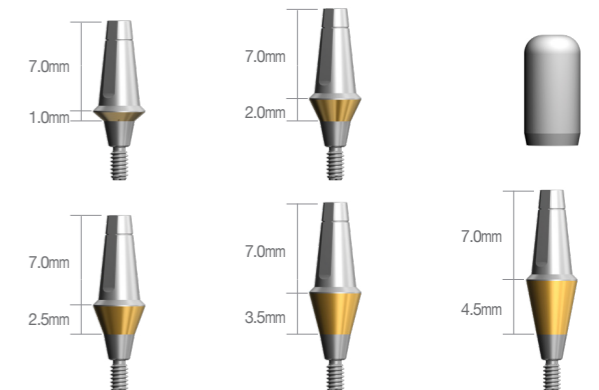
Abutment Diameter	G/H	P/H	Code No.
Ø4.0	1.0mm	5.5mm	DSSAS40105TS
	2.0mm		DSSAS40205TS
	2.5mm		DSSAS40255TS
	3.5mm		DSSAS40355TS
	4.5mm		DSSAS40455TS

※ Set Code(S) : Abutment + Healing Cap[DSSASHC405]

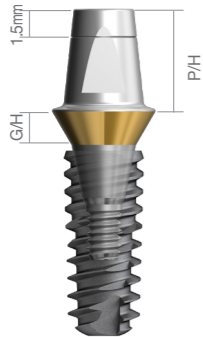


Abutment Diameter	G/H	P/H	Code No.
Ø4.0	1.0mm	7.0mm	DSSAS40107TS
	2.0mm		DSSAS40207TS
	2.5mm		DSSAS40257TS
	3.5mm		DSSAS40357TS
	4.5mm		DSSAS40457TS

※ Set Code(S) : Abutment + Healing Cap[DSSASHC407]



Sole Abutment | Regular / Wide



DSSA5520PCTS + DSSFR4510

Abutment Diameter	G/H	P/H	Code No.
Ø4.5	1.0mm	5.5mm	DSSA4510PCTS
	1.5mm		DSSA4515PCTS
	2.0mm		DSSA4520PCTS
	2.5mm		DSSA4525PCTS
	3.5mm		DSSA4535PCTS
	4.5mm		DSSA4545PCTS
	5.5mm		DSSA4555PCTS

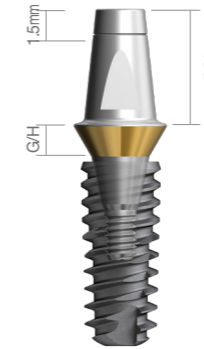
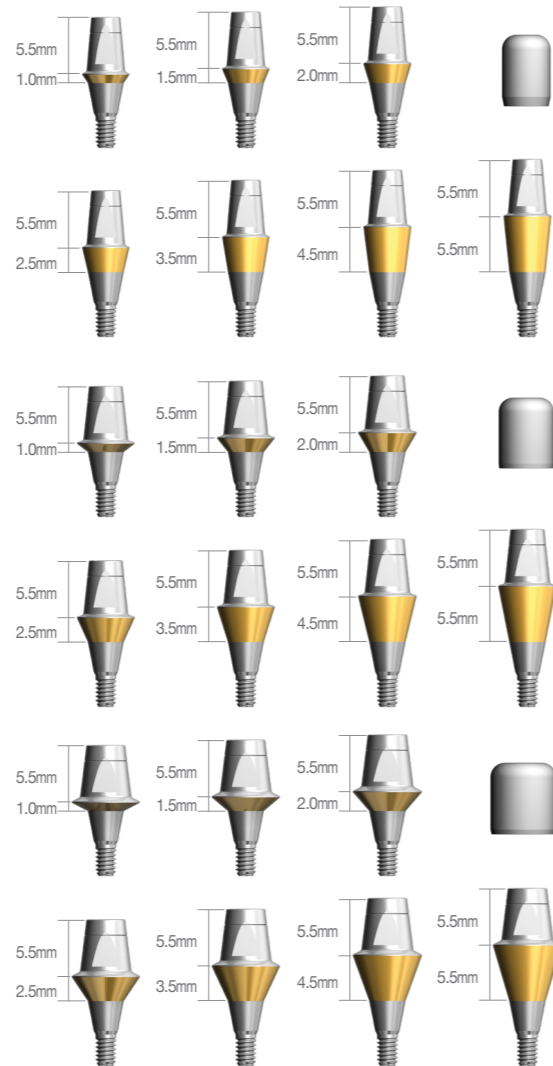
※ Set Code(S) : Abutment + Healing Cap[DSHC455]

Abutment Diameter	G/H	P/H	Code No.
Ø5.5	1.0mm	5.5mm	DSSA5510PCTS
	1.5mm		DSSA5515PCTS
	2.0mm		DSSA5520PCTS
	2.5mm		DSSA5525PCTS
	3.5mm		DSSA5535PCTS
	4.5mm		DSSA5545PCTS
	5.5mm		DSSA5555PCTS

※ Set Code(S) : Abutment + Healing Cap[DSHC555]

Abutment Diameter	G/H	P/H	Code No.
Ø6.5	1.0mm	5.5mm	DSSA6510PCTS
	1.5mm		DSSA6515PCTS
	2.0mm		DSSA6520PCTS
	2.5mm		DSSA6525PCTS
	3.5mm		DSSA6535PCTS
	4.5mm		DSSA6545PCTS
	5.5mm		DSSA6555PCTS

※ Set Code(S) : Abutment + Healing Cap[DSHC655]



DSSA55207PCTS + DSSFR4510

Abutment Diameter	G/H	P/H	Code No.
Ø4.5	1.0mm	7.0mm	DSSA45107PCTS
	1.5mm		DSSA45157PCTS
	2.0mm		DSSA45207PCTS
	2.5mm		DSSA45257PCTS
	3.5mm		DSSA45357PCTS
	4.5mm		DSSA45457PCTS
	5.5mm		DSSA45557PCTS

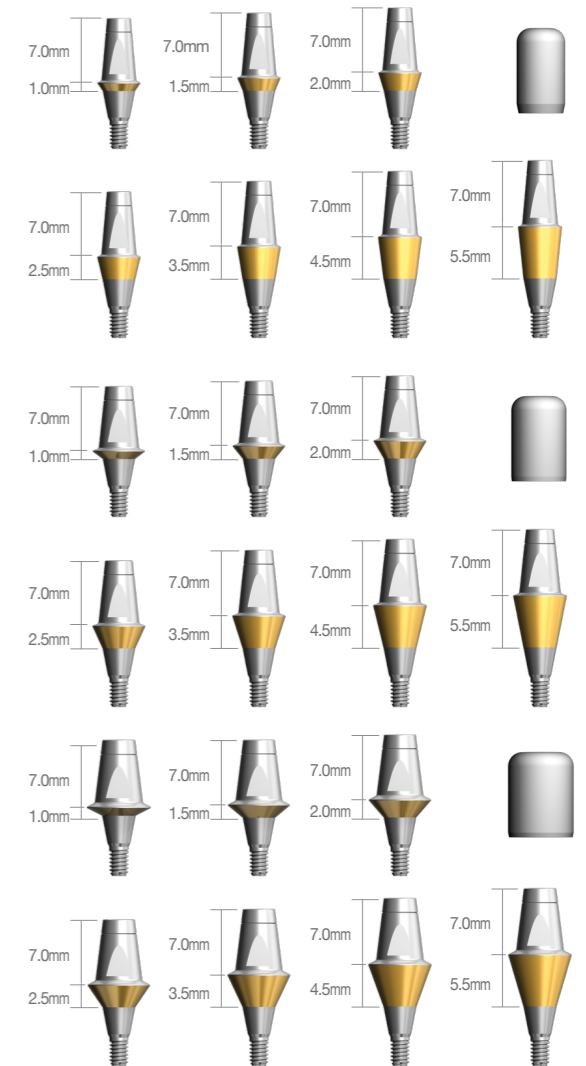
※ Set Code(S) : Abutment + Healing Cap[DSHC457]

Abutment Diameter	G/H	P/H	Code No.
Ø5.5	1.0mm	7.0mm	DSSA55107PCTS
	1.5mm		DSSA55157PCTS
	2.0mm		DSSA55207PCTS
	2.5mm		DSSA55257PCTS
	3.5mm		DSSA55357PCTS
	4.5mm		DSSA55457PCTS
	5.5mm		DSSA55557PCTS

※ Set Code(S) : Abutment + Healing Cap[DSHC557]

Abutment Diameter	G/H	P/H	Code No.
Ø6.5	1.0mm	7.0mm	DSSA65107PCTS
	1.5mm		DSSA65157PCTS
	2.0mm		DSSA65207PCTS
	2.5mm		DSSA65257PCTS
	3.5mm		DSSA65357PCTS
	4.5mm		DSSA65457PCTS
	5.5mm		DSSA65557PCTS

※ Set Code(S) : Abutment + Healing Cap[DSHC657]



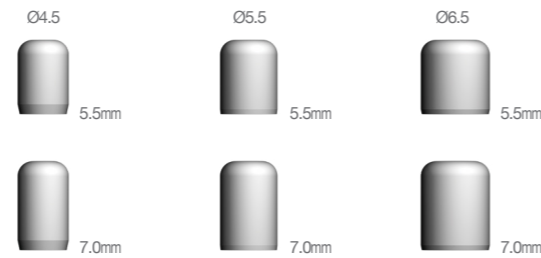
Sole Abutment Healing Cap | Narrow

Abutment Diameter	P/H	Code No.
Ø4.0	5.5mm	DSSASHC405
	7.0mm	DSSASHC407



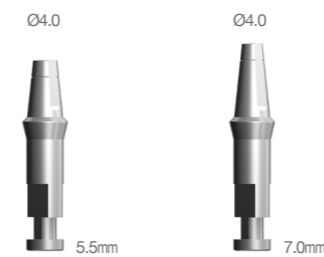
Sole Healing Cap | Regular / Wide

Abutment Diameter	P/H	Code No.
Ø4.5	5.5mm	DSHC455
	7.0mm	DSHC457
Ø5.5	5.5mm	DSHC555
	7.0mm	DSHC557
Ø6.5	5.5mm	DSHC655
	7.0mm	DSHC657



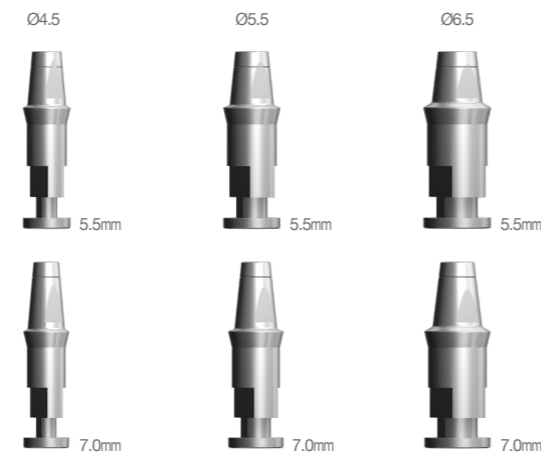
Lab Analog | Narrow

Abutment Diameter	P/H	Code No.
Ø4.0	5.5mm	DSSLAS405
	7.0mm	DSSLAS407



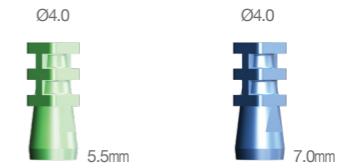
Lab Analog | Regular / Wide

Abutment Diameter	P/H	Code No.
Ø4.5	5.5mm	DSSLA45
	7.0mm	DSSLA457
Ø5.5	5.5mm	DSSLA55
	7.0mm	DSSLA557
Ø6.5	5.5mm	DSSLA65
	7.0mm	DSSLA657



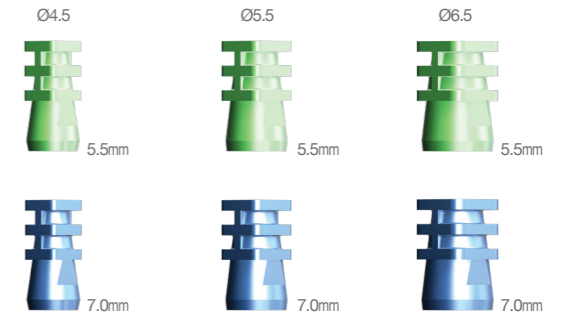
Impression Positioning Cylinder | Narrow

Abutment Diameter	P/H	Code No.
Ø4.0	5.5mm	DSIPCS405
	7.0mm	DSIPCS407



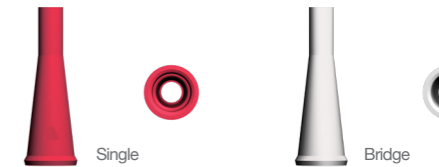
Impression Positioning Cylinder | Regular / Wide

Abutment Diameter	P/H	Code No.
Ø4.5	5.5mm	DSIPC455
	7.0mm	DSIPC457
Ø5.5	5.5mm	DSIPC555
	7.0mm	DSIPC557
Ø6.5	5.5mm	DSIPC655
	7.0mm	DSIPC657



Plastic Coping | Narrow

Abutment Diameter	Type	Code No.
Ø4.0	Single	DSSASP40S
	Bridge	DSSASP40B

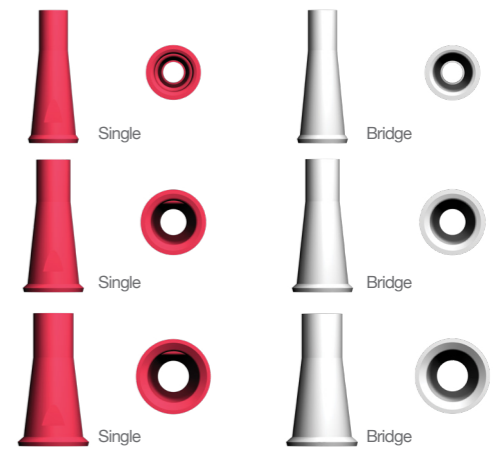


Plastic Coping | Regular / Wide

Abutment Diameter	Type	Code No.
Ø4.5	Single	DSSAP45S
	Bridge	DSSAP45B

Abutment Diameter	Type	Code No.
Ø5.5	Single	DSSAP55S
	Bridge	DSSAP55B

Abutment Diameter	Type	Code No.
Ø6.5	Single	DSSAP65S
	Bridge	DSSAP65B



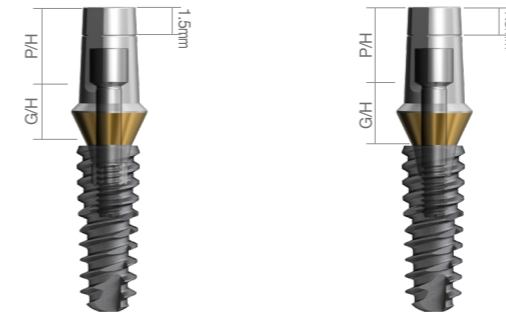
Prosthetic Flow Diagrams for SQ Couple System

Fixture Level Impression / Cemented Restoration / Screw Restoration

N Narrow Type



Couple Abutment | Narrow [Hex] Recommended torque - Narrow size : 20Ncm / Regular, wide size : 30Ncm



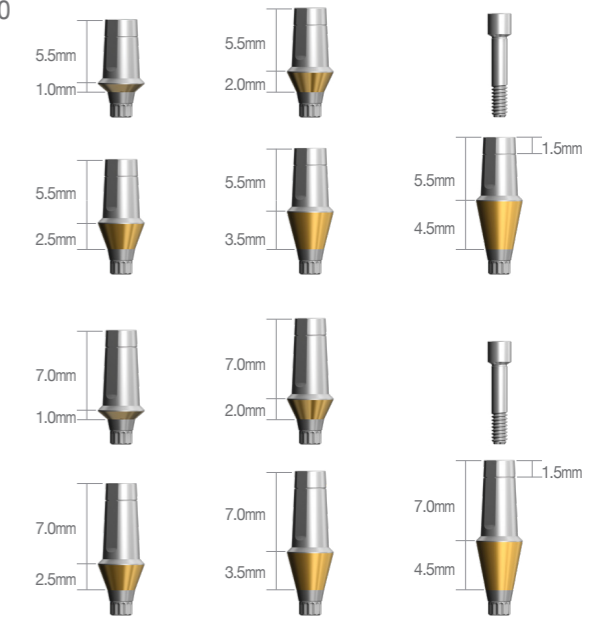
DSCAS40205HTS + DSSFN3510 DSCAS40205NTS + DSSFN3510

Abutment Diameter	G/H	P/H	Code No.
Ø4.0	1.0mm	5.5mm	DSCAS40105HTS
	2.0mm		DSCAS40205HTS
	2.5mm		DSCAS40255HTS
	3.5mm		DSCAS40355HTS
	4.5mm		DSCAS40455HTS

※ Set Code(S) : Abutment + Abutment Screw[DSASS]

Abutment Diameter	G/H	P/H	Code No.
Ø4.0	1.0mm	7.0mm	DSCAS40107HTS
	2.0mm		DSCAS40207HTS
	2.5mm		DSCAS40257HTS
	3.5mm		DSCAS40357HTS
	4.5mm		DSCAS40457HTS

※ Set Code(S) : Abutment + Abutment Screw[DSASS]



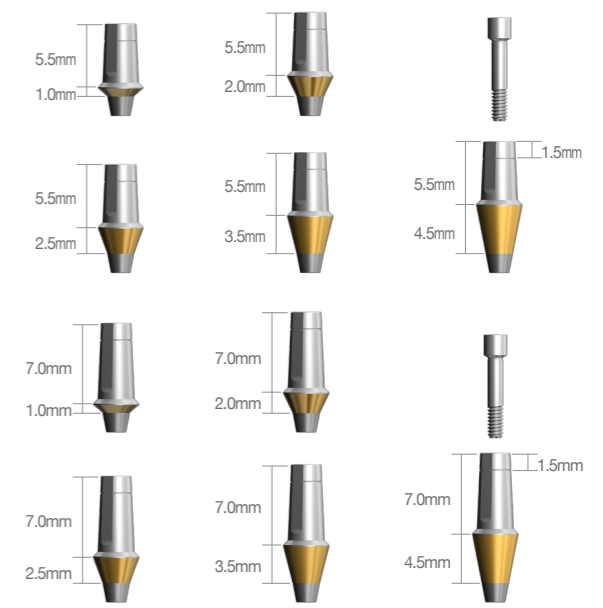
Couple Abutment | Narrow [N-Hex] Recommended torque - Narrow size : 20Ncm / Regular, wide size : 30Ncm

Abutment Diameter	G/H	P/H	Code No.
Ø4.0	1.0mm	5.5mm	DSCAS40105NTS
	2.0mm		DSCAS40205NTS
	2.5mm		DSCAS40255NTS
	3.5mm		DSCAS40355NTS
	4.5mm		DSCAS40455NTS

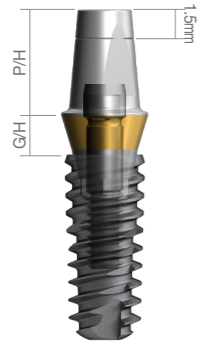
※ Set Code(S) : Abutment + Abutment Screw[DSASS]

Abutment Diameter	G/H	P/H	Code No.
Ø4.0	1.0mm	7.0mm	DSCAS40107NTS
	2.0mm		DSCAS40207NTS
	2.5mm		DSCAS40257NTS
	3.5mm		DSCAS40357NTS
	4.5mm		DSCAS40457NTS

※ Set Code(S) : Abutment + Abutment Screw[DSASS]



Couple Abutment | Regular / Wide [Hex]



DSCA4520HPCTS + DSSFR4510

Abutment Diameter	G/H	P/H	Code No.
Ø4.5	1.0mm	5.5mm	DSCA4510HPCTS
	1.5mm		DSCA4515HPCTS
	2.0mm		DSCA4520HPCTS
	2.5mm		DSCA4525HPCTS
	3.5mm		DSCA4535HPCTS
	4.5mm		DSCA4545HPCTS
	5.5mm		DSCA4555HPCTS

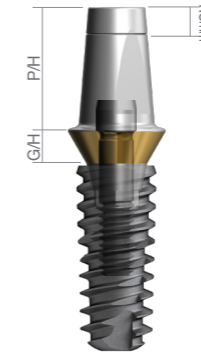
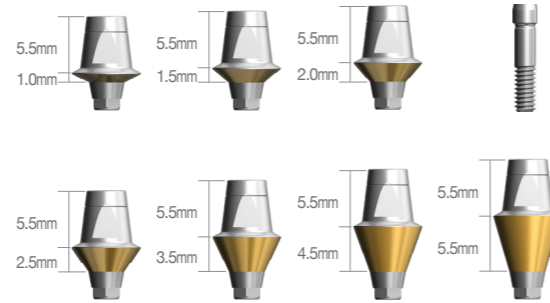
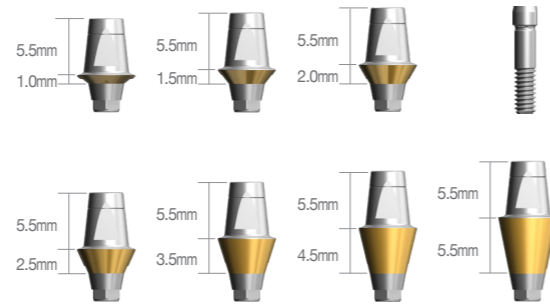
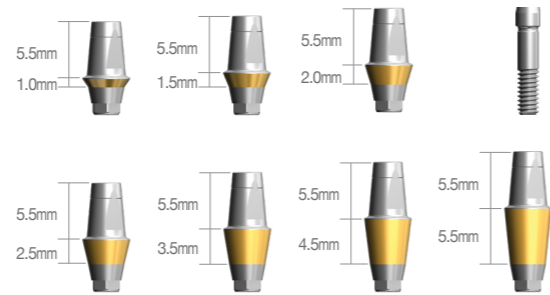
※ Set Code(S) : Abutment + Abutment Screw[DSAS]

Abutment Diameter	G/H	P/H	Code No.
Ø5.5	1.0mm	5.5mm	DSCA5510HPCTS
	1.5mm		DSCA5515HPCTS
	2.0mm		DSCA5520HPCTS
	2.5mm		DSCA5525HPCTS
	3.5mm		DSCA5535HPCTS
	4.5mm		DSCA5545HPCTS
	5.5mm		DSCA5555HPCTS

※ Set Code(S) : Abutment + Abutment Screw[DSAS]

Abutment Diameter	G/H	P/H	Code No.
Ø6.5	1.0mm	5.5mm	DSCA6510HPCTS
	1.5mm		DSCA6515HPCTS
	2.0mm		DSCA6520HPCTS
	2.5mm		DSCA6525HPCTS
	3.5mm		DSCA6535HPCTS
	4.5mm		DSCA6545HPCTS
	5.5mm		DSCA6555HPCTS

※ Set Code(S) : Abutment + Abutment Screw[DSAS]



DSCA5520H7PCTS + DSSFR4510

Abutment Diameter	G/H	P/H	Code No.
Ø4.5	1.0mm	7mm	DSCA4510H7PCTS
	1.5mm		DSCA4515H7PCTS
	2.0mm		DSCA4520H7PCTS
	2.5mm		DSCA4525H7PCTS
	3.5mm		DSCA4535H7PCTS
	4.5mm		DSCA4545H7PCTS
	5.5mm		DSCA4555H7PCTS

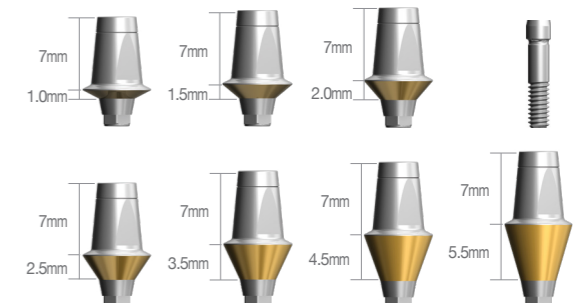
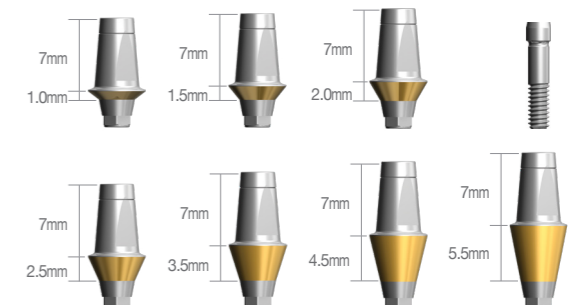
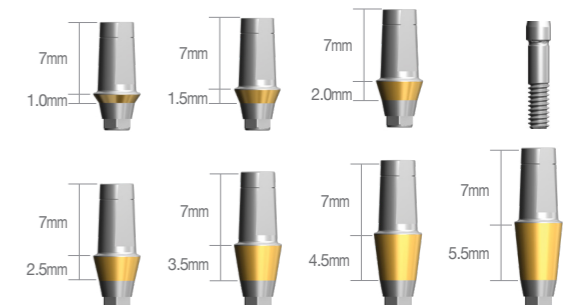
※ Set Code(S) : Abutment + Abutment Screw[DSAS]

Abutment Diameter	G/H	P/H	Code No.
Ø5.5	1.0mm	7mm	DSCA5510H7PCTS
	1.5mm		DSCA5515H7PCTS
	2.0mm		DSCA5520H7PCTS
	2.5mm		DSCA5525H7PCTS
	3.5mm		DSCA5535H7PCTS
	4.5mm		DSCA5545H7PCTS
	5.5mm		DSCA5555H7PCTS

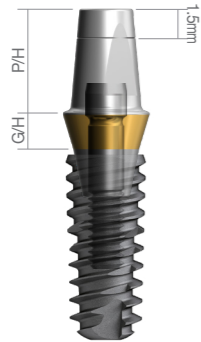
※ Set Code(S) : Abutment + Abutment Screw[DSAS]

Abutment Diameter	G/H	P/H	Code No.
Ø6.5	1.5mm	7mm	DSCA6515H7PCTS
	2.0mm		DSCA6520H7PCTS
	2.5mm		DSCA6525H7PCTS
	3.5mm		DSCA6535H7PCTS
	4.5mm		DSCA6545H7PCTS
	5.5mm		DSCA6555H7PCTS

※ Set Code(S) : Abutment + Abutment Screw[DSAS]



Couple Abutment | Regular / Wide [N-Hex]



DSCA4520NPCTS + DSSFR4510

Abutment Diameter	G/H	P/H	Code No.
Ø4.5	1.0mm	5.5mm	DSCA4510NPCTS
	1.5mm		DSCA4515NPCTS
	2.0mm		DSCA4520NPCTS
	2.5mm		DSCA4525NPCTS
	3.5mm		DSCA4535NPCTS
	4.5mm		DSCA4545NPCTS
	5.5mm		DSCA4555NPCTS

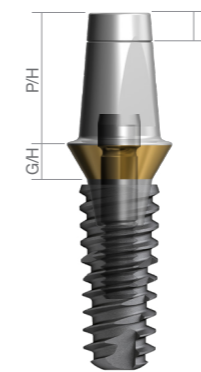
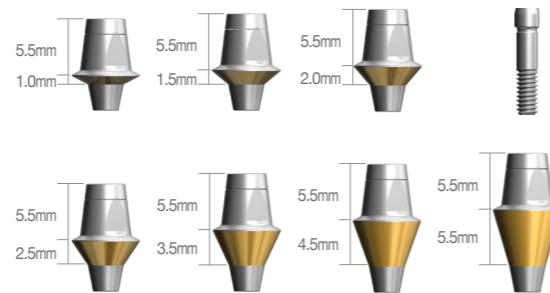
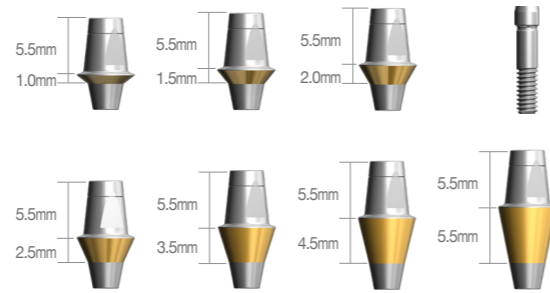
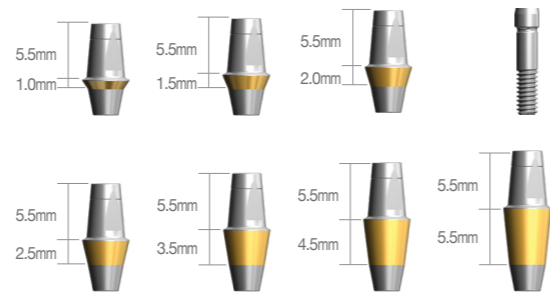
※ Set Code(S) : Abutment + Abutment Screw[DSAS]

Abutment Diameter	G/H	P/H	Code No.
Ø5.5	1.0mm	5.5mm	DSCA5510NPCTS
	1.5mm		DSCA5515NPCTS
	2.0mm		DSCA5520NPCTS
	2.5mm		DSCA5525NPCTS
	3.5mm		DSCA5535NPCTS
	4.5mm		DSCA5545NPCTS
	5.5mm		DSCA5555NPCTS

※ Set Code(S) : Abutment + Abutment Screw[DSAS]

Abutment Diameter	G/H	P/H	Code No.
Ø6.5	1.0mm	5.5mm	DSCA6510NPCTS
	1.5mm		DSCA6515NPCTS
	2.0mm		DSCA6520NPCTS
	2.5mm		DSCA6525NPCTS
	3.5mm		DSCA6535NPCTS
	4.5mm		DSCA6545NPCTS
	5.5mm		DSCA6555NPCTS

※ Set Code(S) : Abutment + Abutment Screw[DSAS]



DSCA5520N7PCTS + DSSFR4510

Abutment Diameter	G/H	P/H	Code No.
Ø4.5	1.0mm	7mm	DSCA4510N7PCTS
	1.5mm		DSCA4515N7PCTS
	2.0mm		DSCA4520N7PCTS
	2.5mm		DSCA4525N7PCTS
	3.5mm		DSCA4535N7PCTS
	4.5mm		DSCA4545N7PCTS
	5.5mm		DSCA4555N7PCTS

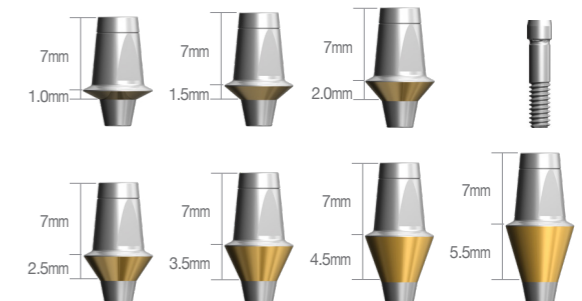
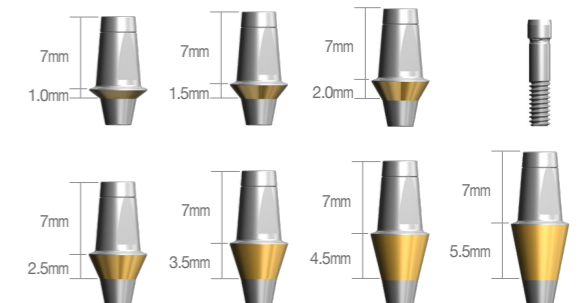
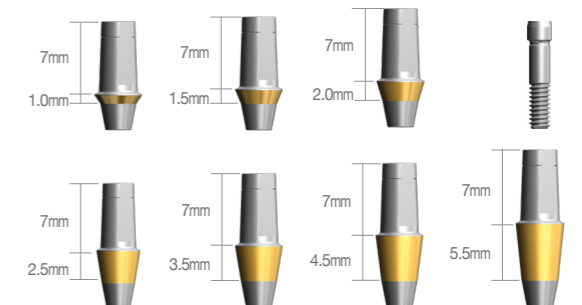
※ Set Code(S) : Abutment + Abutment Screw[DSAS]

Abutment Diameter	G/H	P/H	Code No.
Ø5.5	1.0mm	7mm	DSCA5510N7PCTS
	1.5mm		DSCA5515N7PCTS
	2.0mm		DSCA5520N7PCTS
	2.5mm		DSCA5525N7PCTS
	3.5mm		DSCA5535N7PCTS
	4.5mm		DSCA5545N7PCTS
	5.5mm		DSCA5555N7PCTS

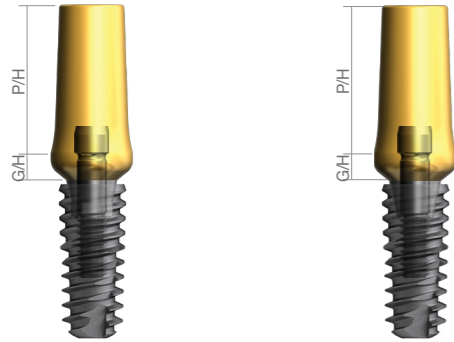
※ Set Code(S) : Abutment + Abutment Screw[DSAS]

Abutment Diameter	G/H	P/H	Code No.
Ø6.5	1.5mm	7mm	DSCA6515N7PCTS
	2.0mm		DSCA6520N7PCTS
	2.5mm		DSCA6525N7PCTS
	3.5mm		DSCA6535N7PCTS
	4.5mm		DSCA6545N7PCTS
	5.5mm		DSCA6555N7PCTS

※ Set Code(S) : Abutment + Abutment Screw[DSAS]



FreeMill Abutment | Regular / Wide [Hex / N-Hex]



DSFMA5520HHCTS + DSSFR4510 DSFMA5520NHCTS + DSSFR4510

Abutment Diameter	G/H	Type	Code No.
Ø4.0	1.5mm	Hex N-Hex	DSFMA4015HHCTS DSFMA4015NHCTS
	3.0mm	Hex N-Hex	DSFMA4030HHCTS DSFMA4030NHCTS

※ Set Code(S) : Abutment + Abutment Screw[DSAS]

Abutment Diameter	G/H	Type	Code No.
Ø4.5	2.0mm	Hex N-Hex	DSFMA4520HHCTS DSFMA4520NHCTS
	3.0mm	Hex N-Hex	DSFMA4530HHCTS DSFMA4530NHCTS

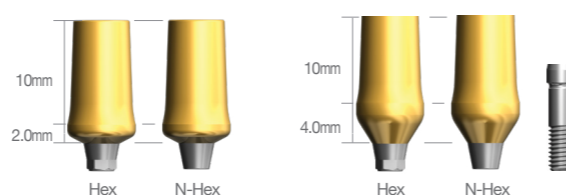
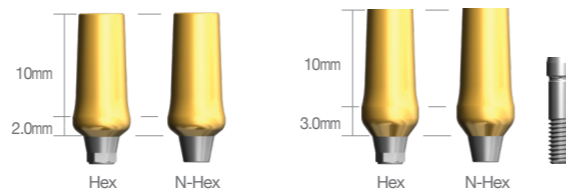
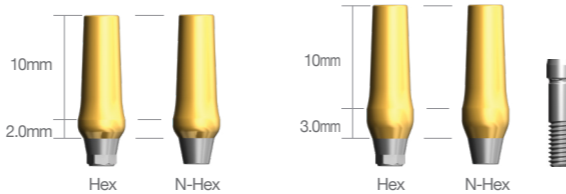
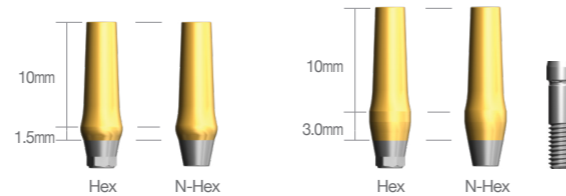
※ Set Code(S) : Abutment + Abutment Screw[DSAS]

Abutment Diameter	G/H	Type	Code No.
Ø5.5	2.0mm	Hex N-Hex	DSFMA5520HHCTS DSFMA5520NHCTS
	3.0mm	Hex N-Hex	DSFMA5530HHCTS DSFMA5530NHCTS

※ Set Code(S) : Abutment + Abutment Screw[DSAS]

Abutment Diameter	G/H	Type	Code No.
Ø6.5	2.0mm	Hex N-Hex	DSFMA6520HHCTS DSFMA6520NHCTS
	4.0mm	Hex N-Hex	DSFMA6540HHCTS DSFMA6540NHCTS

※ Set Code(S) : Abutment + Abutment Screw[DSAS]



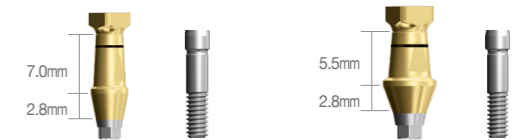
MOA Abutment



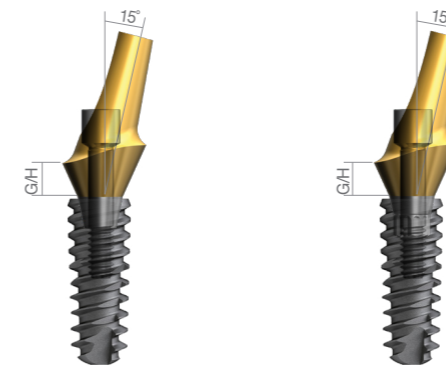
DSMA55305HCTS + DSSFR4510

Abutment Diameter	G/H	P/H	Code No.
Ø4.5	2.8	7.0	DSMA45307HCTS
Ø5.5	2.8	5.5	DSMA55305HCTS

※ Set Code(S) : Abutment + Abutment Screw[DSAS]



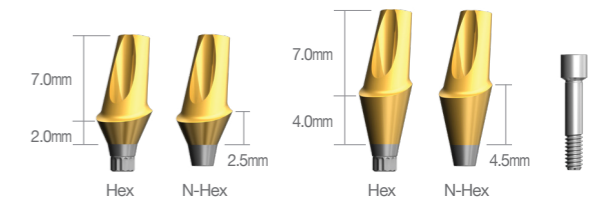
Angled Abutment | Narrow [15°] Recommended torque - Narrow size : 20Ncm / Regular, wide size : 30Ncm



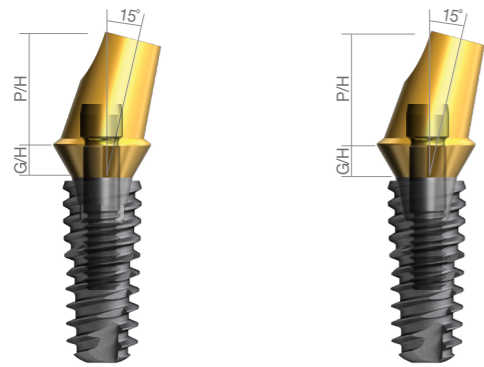
DSAAS40152HTS + DSSFN3510 DSAAS40152NTS + DSSFN3510

Abutment Diameter	Angle	G/H	Type	Code No.
Ø4.0	15°	2mm	Hex N-Hex	DSAAS40152HTS DSAAS40152NTS
		4mm	Hex N-Hex	DSAAS40154HTS DSAAS40154NTS

※ Set Code(S) : Abutment + Abutment Screw[DSASS]



Angled Abutment | Regular / Wide [15°]



DSAA55152HCTS + DSSFR4510 DSAA55152NCTS + DSSFR4510

Abutment Diameter	Angle	G/H	Type	Code No.
Ø4.5	15°	1mm	Hex N-Hex	DSAA45151HCTS DSAA45151NHCTS
		2mm	Hex N-Hex	DSAA45152HCTS DSAA45152NHCTS
		4mm	Hex N-Hex	DSAA45154HCTS DSAA45154NHCTS

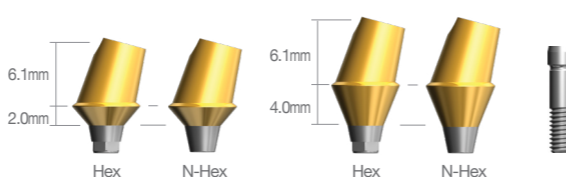
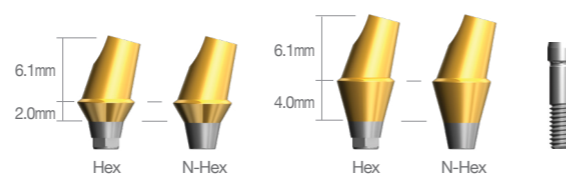
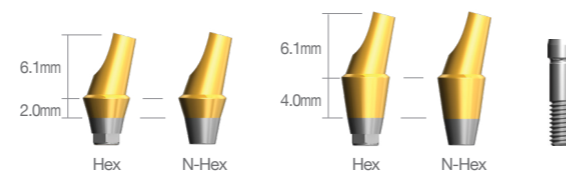
※ Set Code(S) : Abutment + Abutment Screw
[1mm – DSAS1 / 2, 4mm – DSAS]

Abutment Diameter	Angle	G/H	Type	Code No.
Ø5.5	15°	1mm	Hex N-Hex	DSAA55151HCTS DSAA55151NHCTS
		2mm	Hex N-Hex	DSAA55152HCTS DSAA55152NHCTS
		4mm	Hex N-Hex	DSAA55154HCTS DSAA55154NHCTS

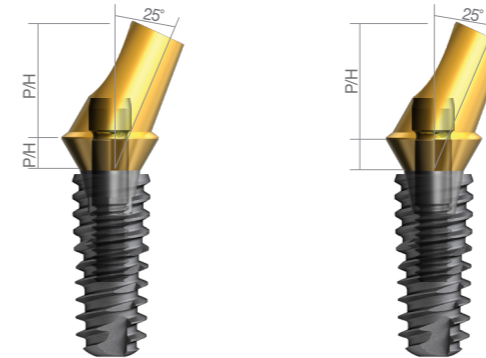
※ Set Code(S) : Abutment + Abutment Screw
[1mm – DSAS1 / 2, 4mm – DSAS]

Abutment Diameter	Angle	G/H	Type	Code No.
Ø6.5	15°	1mm	Hex N-Hex	DSAA65151HCTS DSAA65151NHCTS
		2mm	Hex N-Hex	DSAA65152HCTS DSAA65152NHCTS
		4mm	Hex N-Hex	DSAA65154HCTS DSAA65154NHCTS

※ Set Code(S) : Abutment + Abutment Screw
[1mm – DSAS1 / 2, 4mm – DSAS]



Angled Abutment | Regular / Wide [25°]



DSAA55252HCTS + DSSFR4510 DSAA55252NCTS + DSSFR4510

Abutment Diameter	Angle	G/H	Type	Code No.
Ø4.5	25°	1mm	Hex N-Hex	DSAA45251HCTS DSAA45251NHCTS
		2mm	Hex N-Hex	DSAA45252HCTS DSAA45252NHCTS
		4mm	Hex N-Hex	DSAA45254HCTS DSAA45254NHCTS

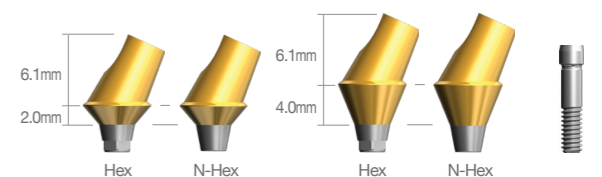
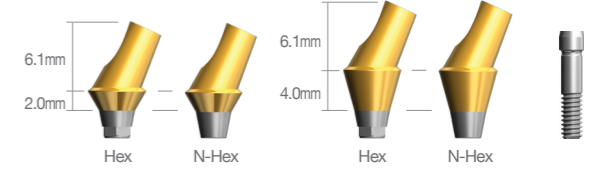
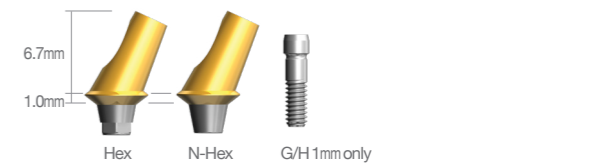
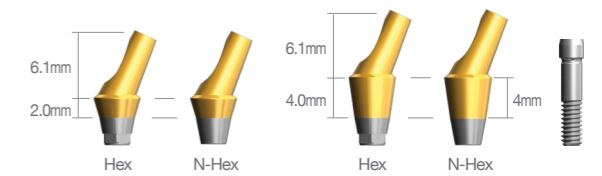
※ Set Code(S) : Abutment + Abutment Screw
[1mm – DSAS1 / 2, 4mm – DSAS]

Abutment Diameter	Angle	G/H	Type	Code No.
Ø5.5	25°	1mm	Hex N-Hex	DSAA55251HCTS DSAA55251NHCTS
		2mm	Hex N-Hex	DSAA55252HCTS DSAA55252NHCTS
		4mm	Hex N-Hex	DSAA55254HCTS DSAA55254NHCTS

※ Set Code(S) : Abutment + Abutment Screw
[1mm – DSAS1 / 2, 4mm – DSAS]

Abutment Diameter	Angle	G/H	Type	Code No.
Ø6.5	25°	1mm	Hex N-Hex	DSAA65251HCTS DSAA65251NHCTS
		2mm	Hex N-Hex	DSAA65252HCTS DSAA65252NHCTS
		4mm	Hex N-Hex	DSAA65254HCTS DSAA65254NHCTS

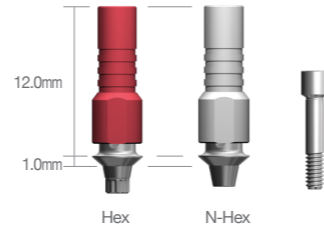
※ Set Code(S) : Abutment + Abutment Screw
[1mm – DSAS1 / 2, 4mm – DSAS]



Gold UCLA | Narrow Recommended torque - Narrow size : 20Ncm / Regular, wide size : 30Ncm

Abutment Diameter	Type	Code No.
Ø4.0	Hex	DSGUASHS
	N-Hex	DSGUASNS

※ Set Code(S) : Abutment + Abutment Screw[DSASS]



Gold UCLA | Regular / Wide

Abutment Diameter	Type	Code No.
Ø4.5	Hex	DSGCHS
	N-Hex	DSGCNS

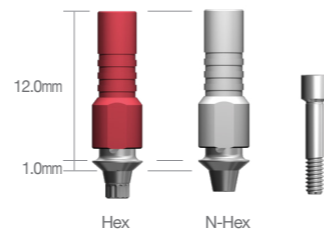
※ Set Code(S) : Abutment + Abutment Screw[DSAS]



CCM UCLA | Narrow Recommended torque - Narrow size : 20Ncm / Regular, wide size : 30Ncm

Abutment Diameter	Type	Code No.
Ø4.0	Hex	DSCUASHS
	N-Hex	DSCUASNS

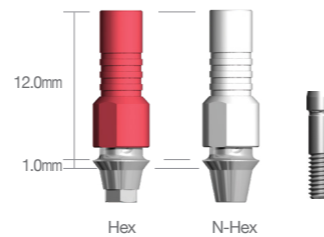
※ Set Code(S) : Abutment + Abutment Screw[DSASS]



CCM UCLA | Regular / Wide

Abutment Diameter	Type	Code No.
Ø4.5	Hex	DSCUAHS
	N-Hex	DSCUANS

※ Set Code(S) : Abutment + Abutment Screw[DSAS]



Abutment Screw

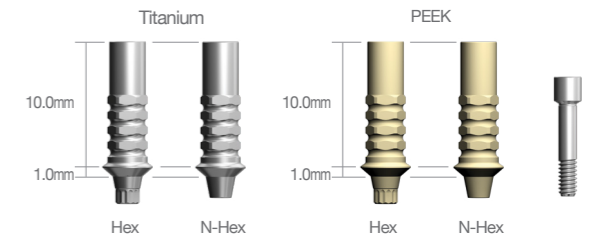
Type	Code No.
Narrow	DSASS
Regular / Wide	DSAS
Angled G/H 1mm only	DSAS1



Temporary Abutment | Narrow Recommended torque - Narrow size : 20Ncm / Regular, wide size : 30Ncm

Abutment Diameter	Material	Type	Code No.
Ø4.0	Titanium	Hex	DSTAS40HS
		N-Hex	DSTAS40NS
	PEEK	Hex	DSPTS40HS
		N-Hex	DSPTS40NS

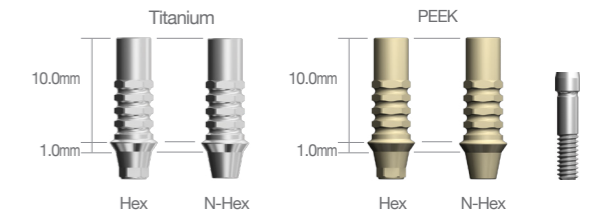
※ Set Code(S) : Abutment + Abutment Screw[DSASS]



Temporary Abutment | Regular / Wide

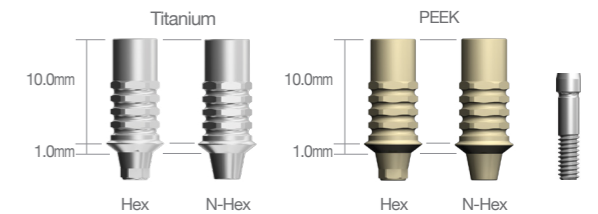
Abutment Diameter	Material	Type	Code No.
Ø4.5	Titanium	Hex	DSTA45HS
		N-Hex	DSTA45NS
	PEEK	Hex	DSPT45HS
		N-Hex	DSPT45NS

※ Set Code(S) : Abutment + Abutment Screw[DSAS]



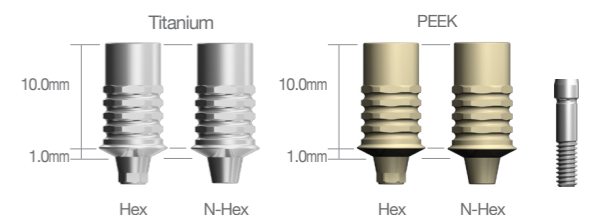
Abutment Diameter	Material	Type	Code No.
Ø5.5	Titanium	Hex	DSTA55HS
		N-Hex	DSTA55NS
	PEEK	Hex	DSPT55HS
		N-Hex	DSPT55NS

※ Set Code(S) : Abutment + Abutment Screw[DSAS]



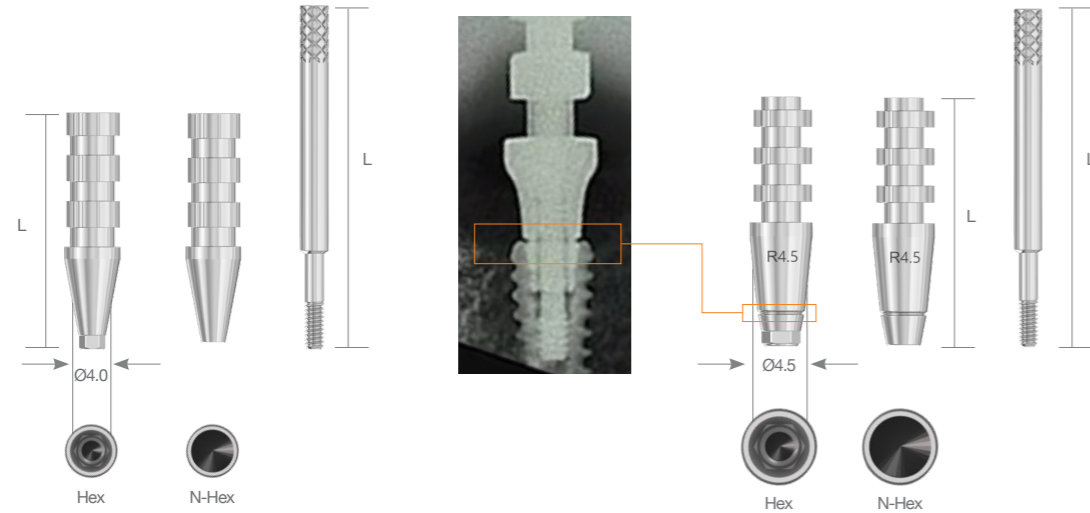
Abutment Diameter	Material	Type	Code No.
Ø6.5	Titanium	Hex	DSTA65HS
		N-Hex	DSTA65NS
	PEEK	Hex	DSPT65HS
		N-Hex	DSPT65NS

※ Set Code(S) : Abutment + Abutment Screw[DSAS]



Narrow

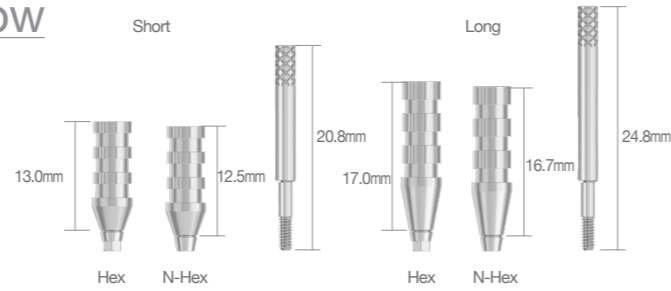
Regular / Wide



Pick-Up Impression Coping | Narrow

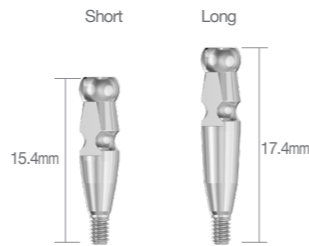
Abutment Diameter	Type	Height	Code No.
Ø4.0	Hex	Short	DSIHS40SS
		Long	DSIHS40LS
	N-Hex	Short	DSINS40SS
		Long	DSINS40LS

※ Set Code(S) : Impression Body + Pin
[Short - DSGPS15 / Long - DSGPS19]



One-Body Transfer Impression Coping | Narrow

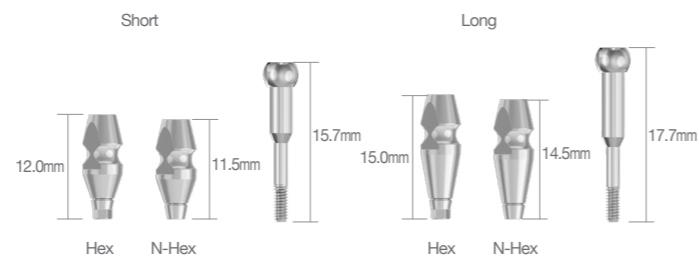
Abutment Diameter	Height	Code No.
Ø4.0	Short	DSOTICS40S
	Long	DSOTICS40L



Transfer Impression Coping | Narrow

Abutment Diameter	Type	Height	Code No.
Ø4.0	Hex	Short	DSITHS40SS
		Long	DSITHS40LS
	N-Hex	Short	DSITNS40SS
		Long	DSITNS40LS

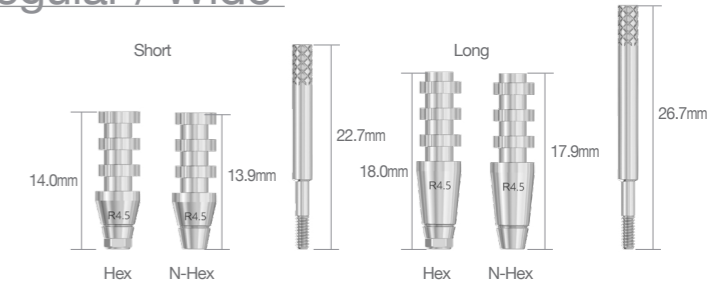
※ Set Code(S) : Impression Body + Pin
[Short - DSTSS / Long - DSTLS]



Pick-Up Impression Coping | Regular / Wide

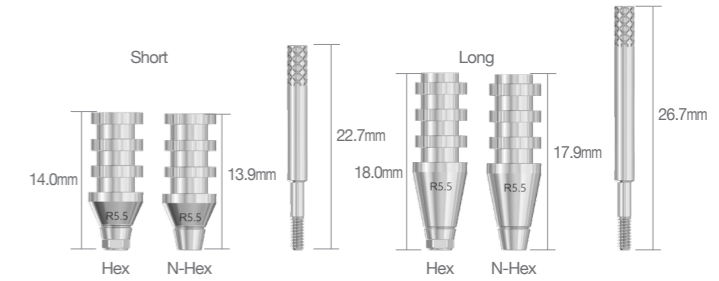
Abutment Diameter	Type	Height	Code No.
Ø4.5	Hex	Short	DSIH45SS
		Long	DSIH45LS
	N-Hex	Short	DSIN45SS
		Long	DSIN45LS

※ Set Code(S) : Impression Body + Pin
[Short - DSGP15 / Long - DSGPS19]



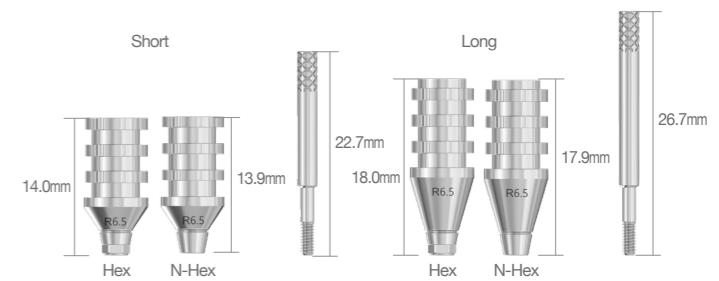
Abutment Diameter	Type	Height	Code No.
Ø5.5	Hex	Short	DSIH55SS
		Long	DSIH55LS
	N-Hex	Short	DSIN55SS
		Long	DSIN55LS

※ Set Code(S) : Impression Body + Pin
[Short - DSGP15 / Long - DSGPS19]



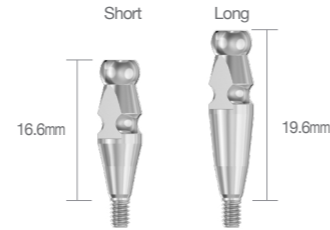
Abutment Diameter	Type	Height	Code No.
Ø6.5	Hex	Short	DSIH65SS
		Long	DSIH65LS
	N-Hex	Short	DSIN65SS
		Long	DSIN65LS

※ Set Code(S) : Impression Body + Pin
[Short - DSGP15 / Long - DSGPS19]

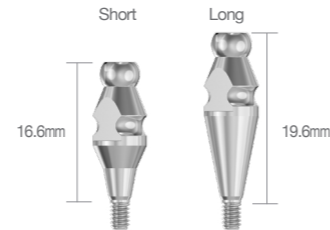


One-Body Transfer Impression Coping | Regular / Wide

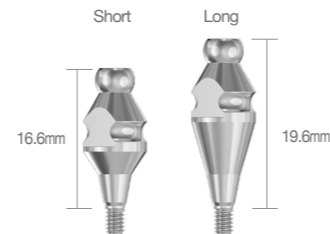
Abutment Diameter	Height	Code No.
Ø4.5	Short	DSOTIC45S
	Long	DSOTIC45L



Abutment Diameter	Height	Code No.
Ø5.5	Short	DSOTIC55S
	Long	DSOTIC55L

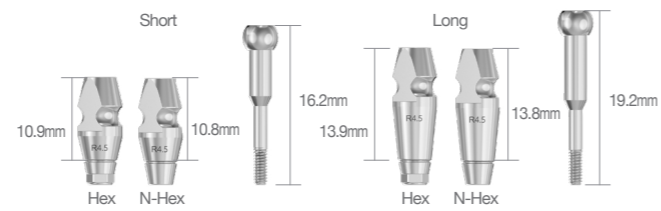


Abutment Diameter	Height	Code No.
Ø6.5	Short	DSOTIC65S
	Long	DSOTIC65L



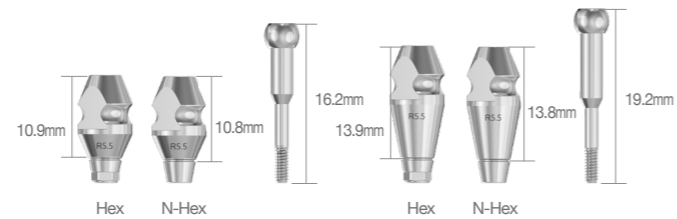
Transfer Impression Coping | Regular / Wide

Abutment Diameter	Type	Height	Code No.
Ø4.5	Hex	Short	DSITH45SS
		Long	DSITH45LS
	N-Hex	Short	DSITN45SS
		Long	DSITN45LS



※ Set Code(S) : Impression Body + Pin
[Short - DSTS / Long - DSTL]

Abutment Diameter	Type	Height	Code No.
Ø5.5	Hex	Short	DSITH55SS
		Long	DSITH55LS
	N-Hex	Short	DSITN55SS
		Long	DSITN55LS



※ Set Code(S) : Impression Body + Pin
[Short - DSTS / Long - DSTL]

Abutment Diameter	Type	Height	Code No.
Ø6.5	Hex	Short	DSITH65SS
		Long	DSITH65LS
	N-Hex	Short	DSITN65SS
		Long	DSITN65LS



※ Set Code(S) : Impression Body + Pin
[Short - DSTS / Long - DSTL]

Lab Analog | Narrow

Abutment Diameter	Code No.
Ø4.0	DSCLAS



Lab Analog | Regular / Wide

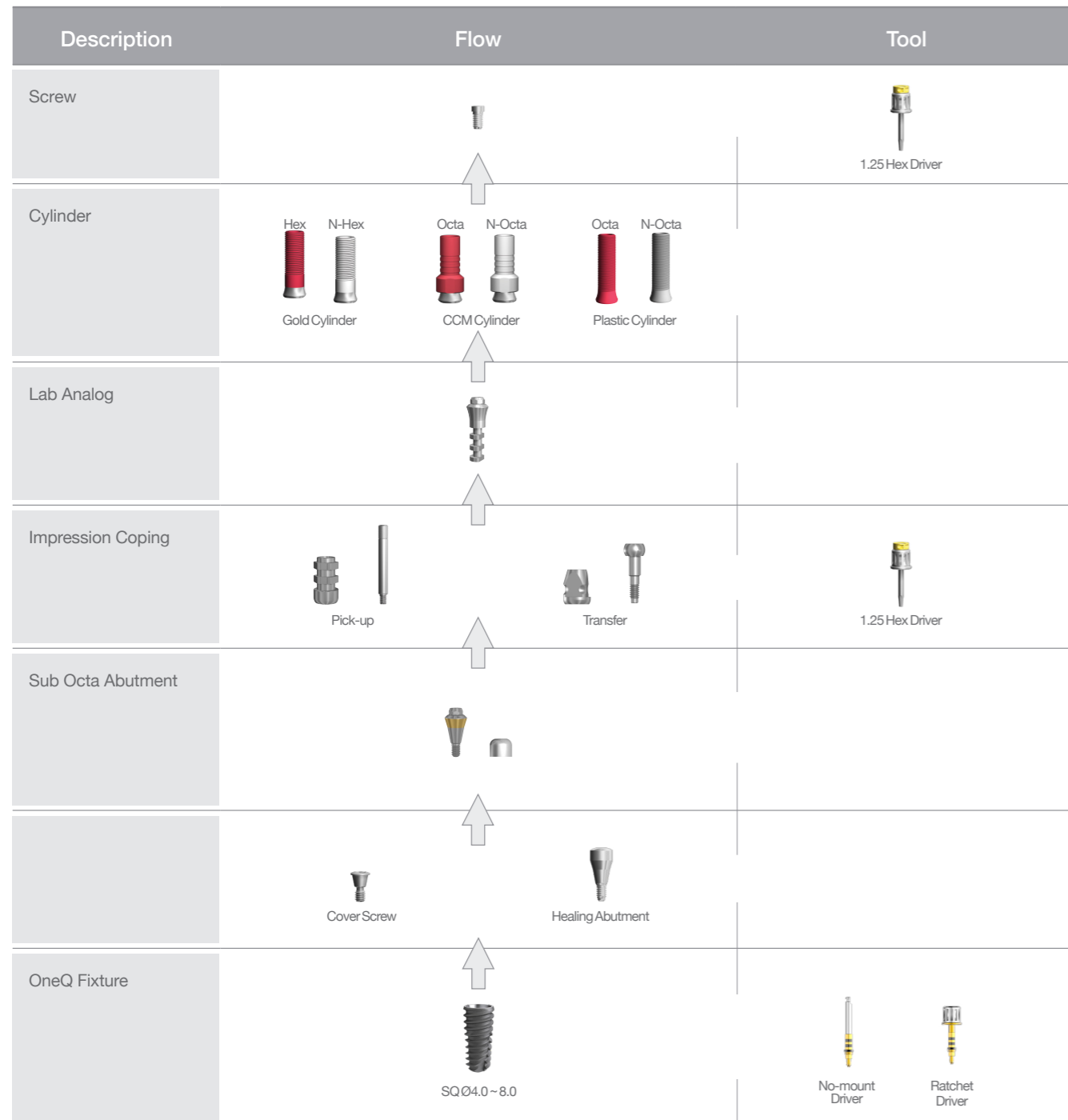
Abutment Diameter	Code No.
Ø4.5	DSCLA



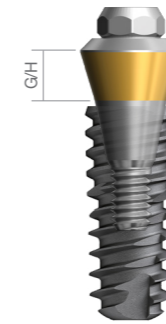
Prosthetic Flow Diagrams for SQ Sub Octa System

Abutment Level Impression / Screw Restoration

N Narrow Type

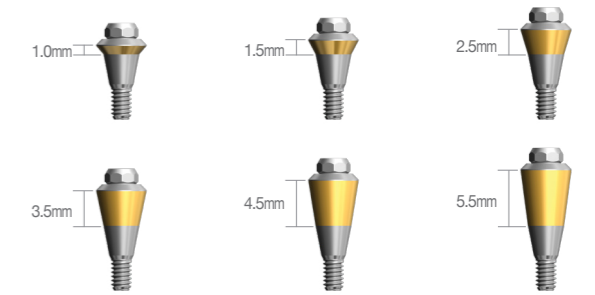


Sub Octa Abutment | Regular / Wide



DSOA482PCT + DSSFR4510

Abutment Diameter	G/H	Code No.
Ø4.8	1.0mm	DSOA480PCT
	1.5mm	DSOA481PCT
	2.5mm	DSOA482PCT
	3.5mm	DSOA483PCT
	4.5mm	DSOA484PCT
	5.5mm	DSOA485PCT



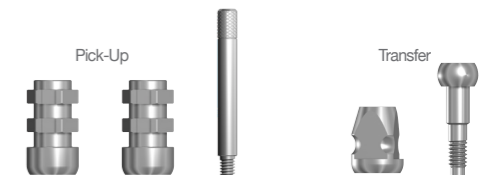
Octa Healing Cap

Abutment Diameter	Code No.
Ø4.8	DIOHC



Impression Coping

Abutment Diameter	Type	Code No.
Ø4.8	Pick-Up	DIOIOS DIOINS
	Transfer	DIOTIS



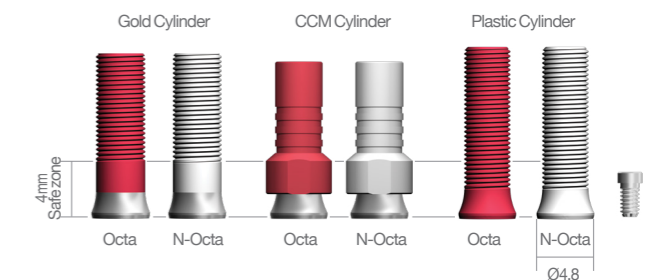
Lab Analog

Abutment Diameter	Code No.
Ø4.8	DIOLA



Cylinder

Abutment Diameter	Type	Angle	Code No.
Ø4.8	Gold	Octa N-Octa	DIOGCOS DIOGCNS
	CCM	Octa N-Octa	DIOCC48OS DIOCC48NS
	Plastic	Octa N-Octa	DIOPOS DIO PNS



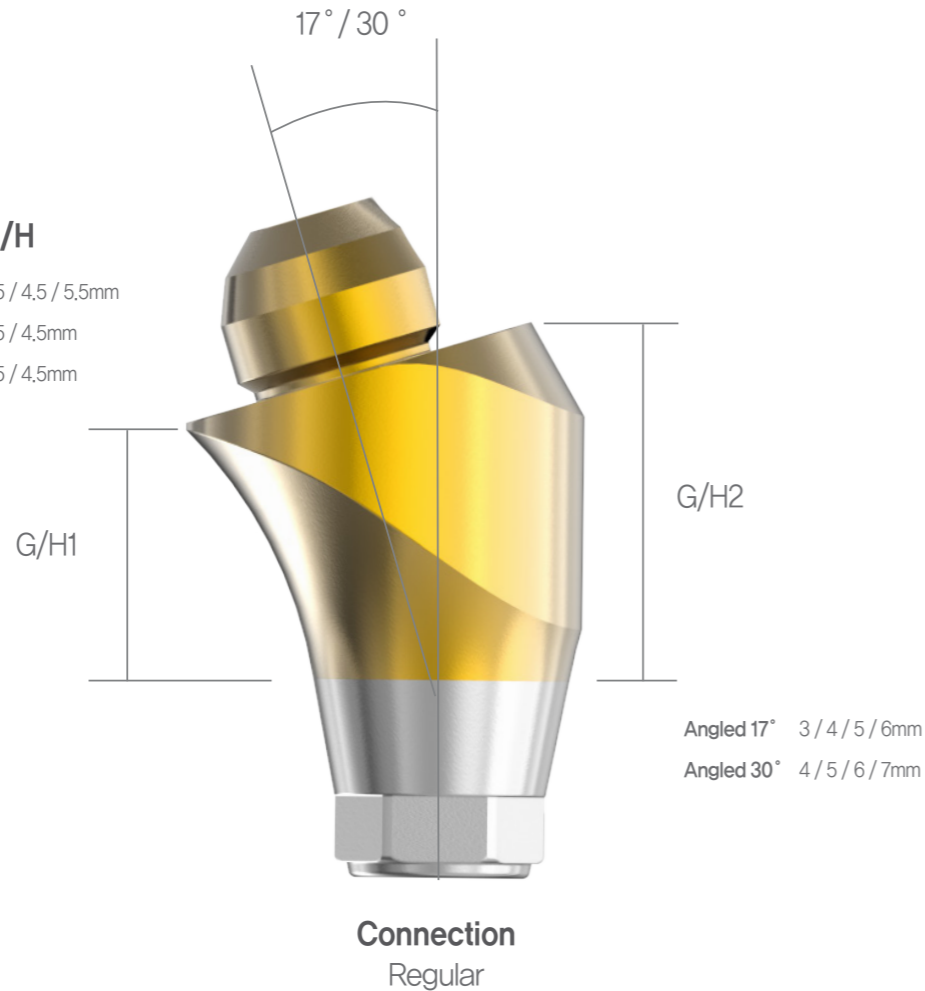
※ Set Code(S) : Abutment + Abutment Screw[DIOACS]

Multi-Unit Abutment



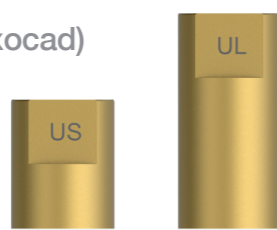
Wide range of G/H

- Straight 1.5 / 2.5 / 3.5 / 4.5 / 5.5mm
- Angled 17° 1.5 / 2.5 / 3.5 / 4.5mm
- Angled 30° 1.5 / 2.5 / 3.5 / 4.5mm



Composition of Scanbody and Digital Lab Analog

- Digital Work-Flow is available
- Exclusive Library (3shape / Exocad)



Scanbody



MU Digital Lab Analog

Prosthetic Flow Diagrams for MU Abutment System

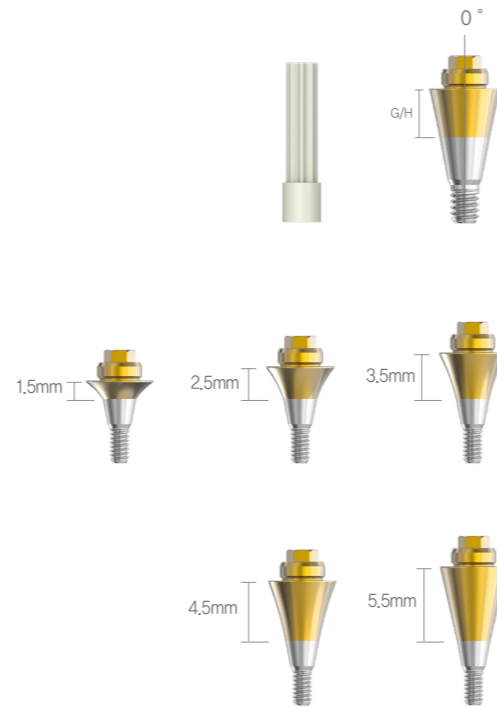
Description	Flow	Tool
Screw	 Cylinder Screw	 1.25 Hex Driver
Cylinder	 CCM  Temporary	
Lab Analog		
Impression Coping & Scanbody	 Transfer  Pick-up  Scanbody	 1.25 Hex Driver
Mu Healing Cap		 1.25 Hex Driver
Abutment	 Straight  Angled	 Straight driver  1.25 Hex Driver
	 Cover Screw  Healing Abutment	 1.25 Hex Driver
SQ Fixture	 SQ03.5~4.0  SQ04.5~8.0	 No-Mount Driver  Ratchet Driver

Multi-Unit Abutment Line-Up

MU Straight Abutment Recommended Torque: 20Ncm

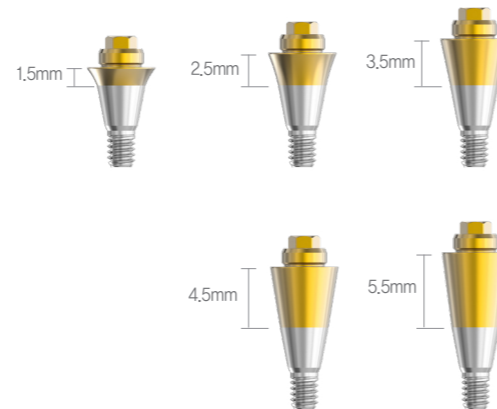
Narrow

Diameter	Hex Size	Cuff	Code No.
Ø4.8	Sole Type	1.5	DSMUSN15S
		2.5	DSMUSN25S
		3.5	DSMUSN35S
		4.5	DSMUSN45S
		5.5	DSMUSN55S



Regular Recommended Torque: 30Ncm

Diameter	Hex Size	Cuff	Code No.
Ø4.8	Sole Type	1.5	DSMUS15S
		2.5	DSMUS25S
		3.5	DSMUS35S
		4.5	DSMUS45S
		5.5	DSMUS55S

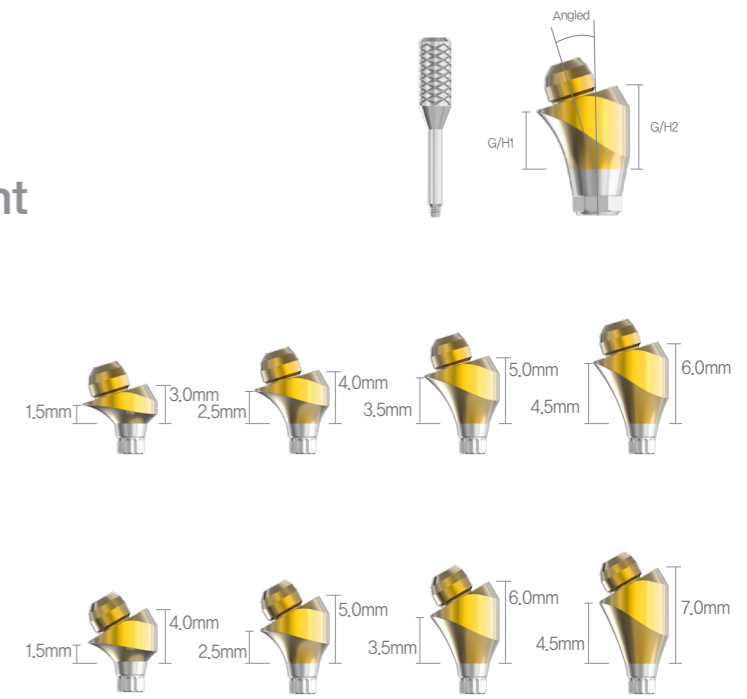


s-Clean MU Angled Abutment

Narrow Recommended Torque: 20Ncm

Diameter	Hex Size	Angled	G/H1	G/H2	Code No.
Ø4.8	1.7 Double Hex	17	1.5	3	DSMUAN1715S
			2.5	4	DSMUAN1725S
			3.5	5	DSMUAN1735S
			4.5	6	DSMUAN1745S
		30	1.5	4	DSMUAN3015S
			2.5	5	DSMUAN3025S
			3.5	6	DSMUAN3035S
			4.5	7	DSMUAN3045S

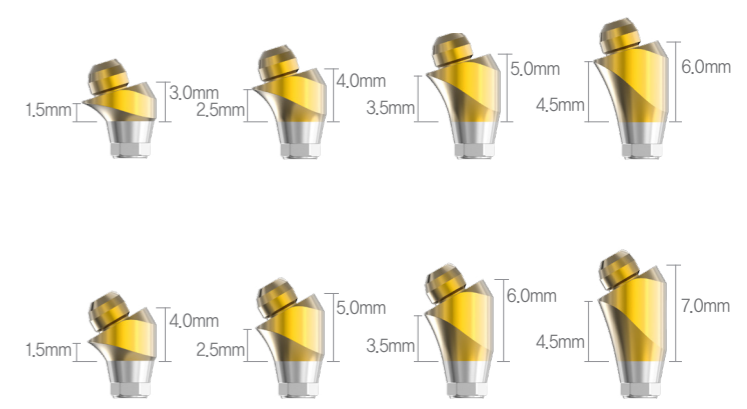
Screw Code : DSMUASN



Regular Recommended Torque: 30Ncm

Diameter	Hex Size	Angled	G/H1	G/H2	Code No.
Ø4.8	Hex 2.5	17	1.5	3	DSMUA1715S
			2.5	4	DSMUA1725S
			3.5	5	DSMUA1735S
			4.5	6	DSMUA1745S
		30	1.5	4	DSMUA3015S
			2.5	5	DSMUA3025S
			3.5	6	DSMUA3035S
			4.5	7	DSMUA3045S

Screw Code : DSMUAS



MU Straight Abutment Driver

Code No.

DSMUSD

※ For fixing MU Straight Abutment



Impression Coping

Code No.

MU Transfer Coping

DSMUTICSS

MU Pick-up Coping

DSMUPICSS

Transfer Screw : DSMUTICS

Pick-up Screw : DSMUPICS



Cylinder

Code No.

MU GCM Cylinder

DSMUCCS

MU Temporary Cylinder

DSMUTCS

MU Cylinder Screw : DSMUCS



MU Scanbody

Code No.

DSMUSBSS

DSMUSBLS

MU Scanbody Screw : DSMUSS



MU Healing Cap

Code No.

DSMUHC

DSMUHC58

DSMUHC68



MU Digital Lab Analog

Code No.

MU Digital Lab Analog

DSMUSDL



MU Ti Base

Code No.

DSMUTBSS

DSMUTBLS

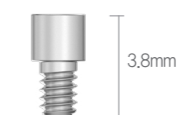
MU Cylinder Screw : DSMUCS



MU Cylinder Screw

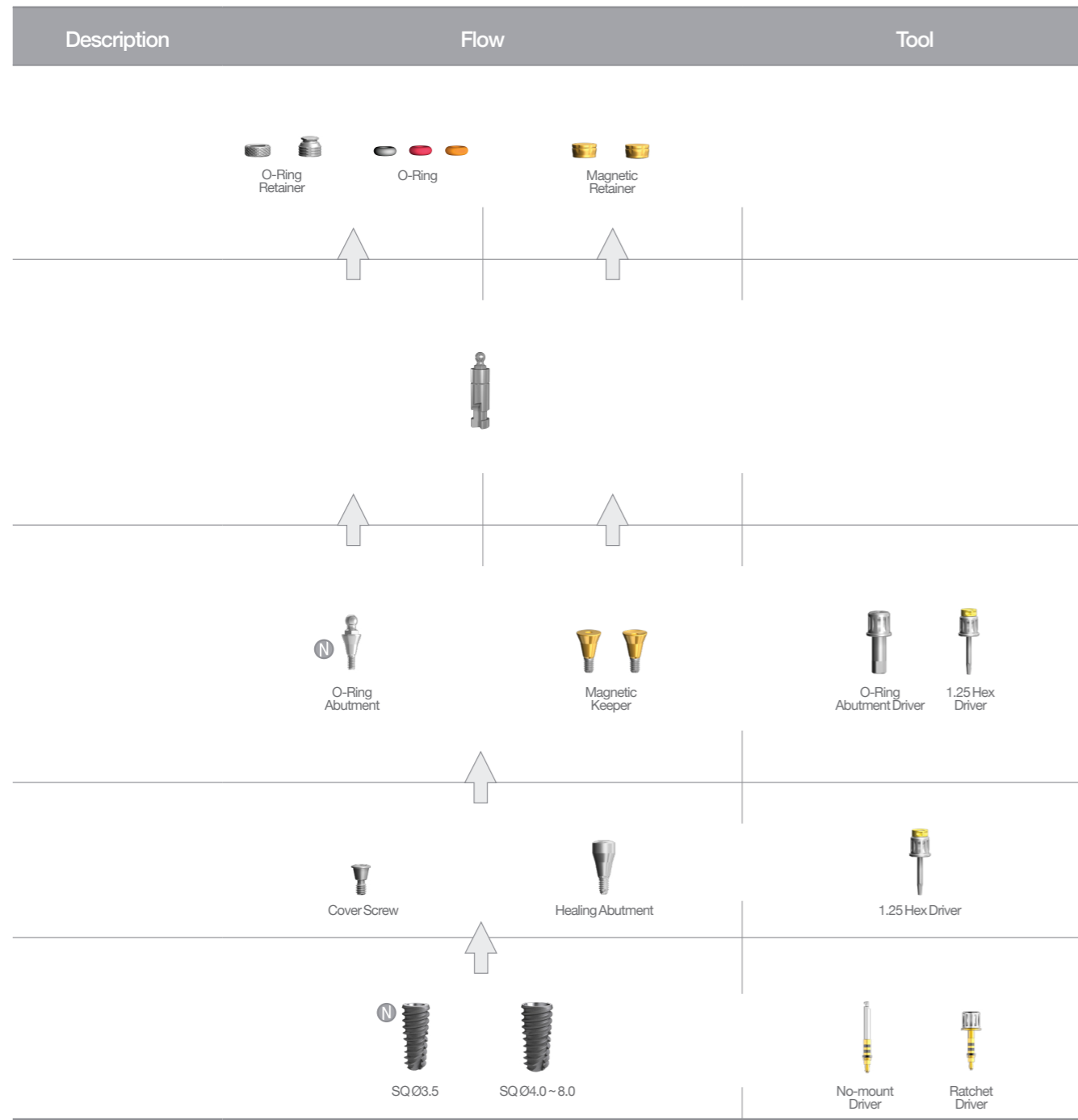
Code No.

DSMUCS

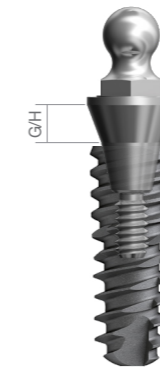


Prosthetic Flow Diagrams for SQ Overdenture System

N Narrow Type

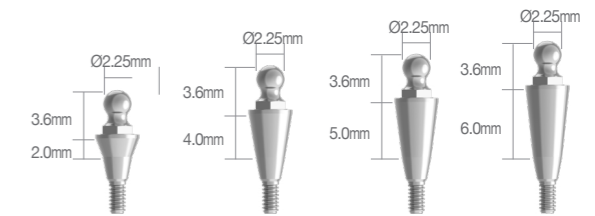


O-Ring Abutment | Narrow Recommended torque - Narrow size : 20Ncm / Regular, wide size : 30Ncm



DSORAS20 + DSSFN3510

Abutment Diameter	G/H	Code No.
Ø3.5	2mm	DSORAS20
	4mm	DSORAS40
	5mm	DSORAS50
	6mm	DSORAS60

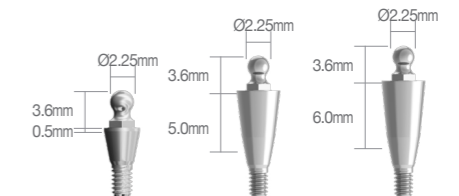


O-Ring Abutment | Regular / Wide

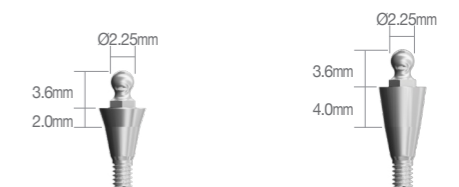


DSORA20 + DSSFR4510

Abutment Diameter	G/H	Code No.
Ø3.4	0.5mm	DSORA00
		DSORA50
		DSORA60



Abutment Diameter	G/H	Code No.
Ø4.5	2mm	DSORA20
	4mm	DSORA40



O-Ring Lab Analog

Code No.

DOLA



O-Ring Retainer | Open

Code No.

DORS



O-Ring Retainer | Close

Code No.

DORCS

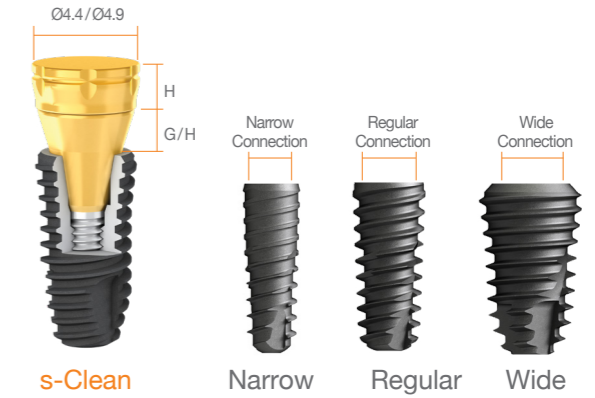
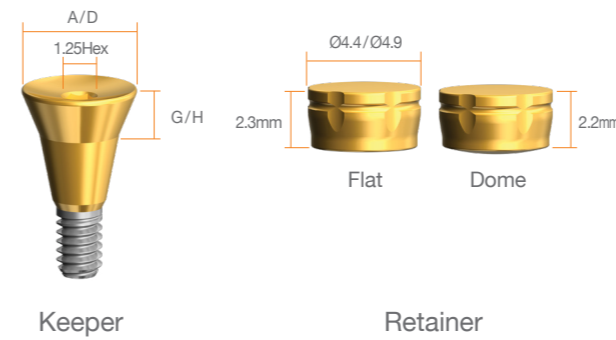


O-Ring

Abutment Color	Code No.
BLACK	DOAO100
RED	DOAO400
ORANGE	DOAO800



SQ Magnetic Attachment

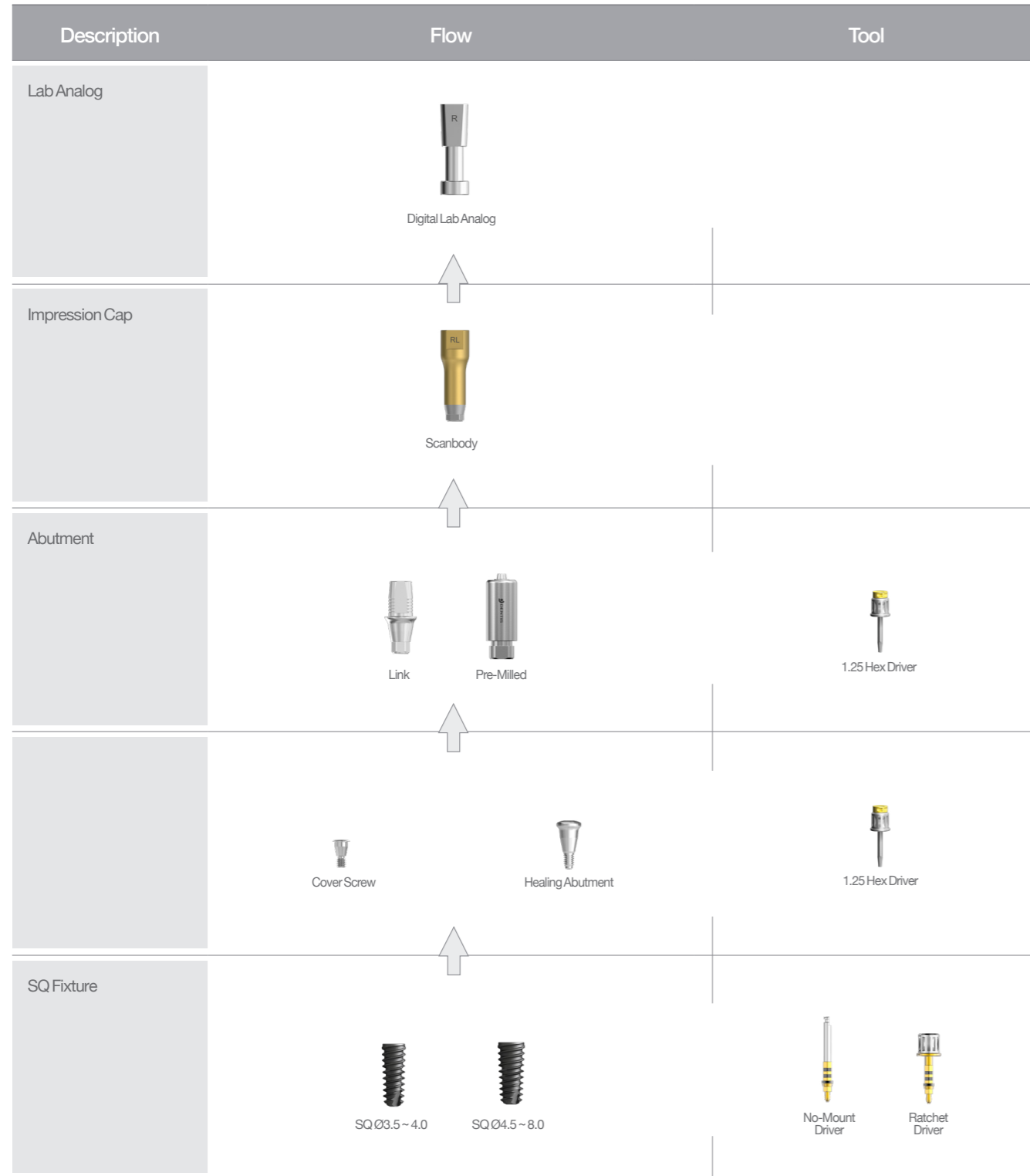


Flat Type					
Type	A/D	G/H	Keeper Code	Retainer Code	Set Code
Narrow	4.4	1.0	DSNMK4410F	DMDRA4423F	DSNMK4410FS
		2.0	DSNMK4420F		DSNMK4420FS
		3.0	DSNMK4430F		DSNMK4430FS
		4.0	DSNMK4440F		DSNMK4440FS
		5.0	DSNMK4450F		DSNMK4450FS
	4.9	1.0	DSNMK4910F	DMDRA4923F	DSNMK4910FS
		2.0	DSNMK4920F		DSNMK4920FS
		3.0	DSNMK4930F		DSNMK4930FS
		4.0	DSNMK4940F		DSNMK4940FS
		5.0	DSNMK4950F		DSNMK4950FS
Regular / Wide	4.4	1.0	DSRMK4410F	DMDRA4423F	DSRMK4410FS
		2.0	DSRMK4420F		DSRMK4420FS
		3.0	DSRMK4430F		DSRMK4430FS
		4.0	DSRMK4440F		DSRMK4440FS
		5.0	DSRMK4450F		DSRMK4450FS
	4.9	1.0	DSRMK4910F	DMDRA4923F	DSRMK4910FS
		2.0	DSRMK4920F		DSRMK4920FS
		3.0	DSRMK4930F		DSRMK4930FS
		4.0	DSRMK4940F		DSRMK4940FS
		5.0	DSRMK4950F		DSRMK4950FS

Dome Type					
Type	A/D	G/H	Keeper Code	Retainer Code	Set Code
Narrow	4.4	1.0	DSNMK4410D	DMDRA4422D	DSNMK4410DS
		2.0	DSNMK4420D		DSNMK4420DS
		3.0	DSNMK4430D		DSNMK4430DS
		4.0	DSNMK4440D		DSNMK4440DS
		5.0	DSNMK4450D		DSNMK4450DS
	4.9	1.0	DSNMK4910D	DSNMK4922D	DSNMK4910DS
		2.0	DSNMK4920D		DSNMK4920DS
		3.0	DSNMK4930D		DSNMK4930DS
		4.0	DSNMK4940D		DSNMK4940DS
		5.0	DSNMK4950D		DSNMK4950DS
Regular / Wide	4.4	1.0	DSRMK4410D	DMDRA4422D	DSRMK4410DS
		2.0	DSRMK4420D		DSRMK4420DS
		3.0	DSRMK4430D		DSRMK4430DS
		4.0	DSRMK4440D		DSRMK4440DS
		5.0	DSRMK4450D		DSRMK4450DS
	4.9	1.0	DSRMK4910D	DMDRA4922D	DSRMK4910DS
		2.0	DSRMK4920D		DSRMK4920DS
		3.0	DSRMK4930D		DSRMK4930DS
		4.0	DSRMK4940D		DSRMK4940DS
		5.0	DSRMK4950D		DSRMK4950DS

※ Set Code(S) : Keeper+ Retainer

Diagrams for Digital System



ScanBody



Submerged Narrow

Diameter	Length	Type	Code No.
Ø4.0	8mm	Narrow Short	DSSBNSS
	12mm	Narrow Long	DSSBNLS
	16mm	Narrow Extra Long	DSSBNELS

Screw : DSSBSS



Regular

Diameter	Length	Type	Code No.
Ø4.5	8mm	Regular Short	DSSBRSS
	12mm	Regular Long	DSSBRLS
	16mm	Regular Extra Long	DSSBRELS

Screw : DSSBS



Pre-Milled Abutment



Submerge A-TYPE(Arum)

Narrow

Abutment Diameter	Hex	Code No.
Ø10	Double Hex	DSCBAN10HS
	Non-Hex	DSCBAN10NS

Screw Code : DSASS



Regular

Abutment Diameter	Hex	Code No.
Ø10	Hex	DSCBA10HS
	Non-Hex	DSCBA10NS
Ø14	Hex	DSCBA14HS
	Non-Hex	DSCBA14NS

Screw Code : DSAS



Submerge M-TYPE(Manix)

Narrow

Abutment Diameter	Hex	Code No.
Ø10	Double Hex	DSCBMN10HS
	Non-Hex	DSCBMN10NS



Regular

Abutment Diameter	Hex	Code No.
Ø10	Hex	DSCBM10HS
	Non-Hex	DSCBM10NS
Ø14	Hex	DSCBM14HS
	Non-Hex	DSCBM14NS



Link Abutment



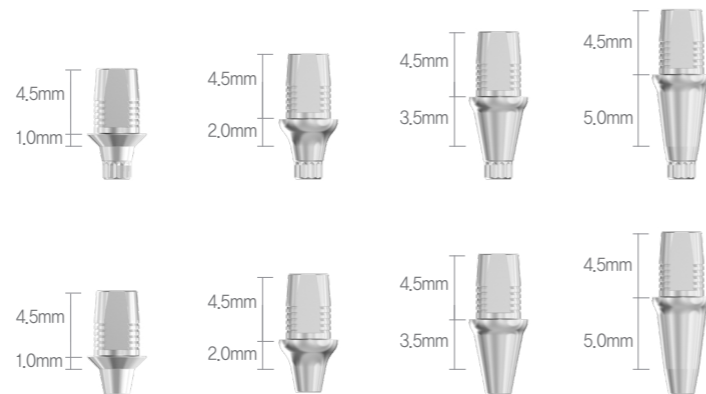
Link Abutments are used when making Zirconia custom abutments with CAD/CAM equipment

Recommended Torque: 20Ncm (Narrow), 30Ncm (Mini, Regular)

Narrow

Abutment Diameter	Hex	G/H	Code No.
Ø 4.0	HEX	1	DSLANS401045HS
		2	DSLANS402045HS
		3.5	DSLANS403545HS
		5.0	DSLANS405045HS
	N-HEX	1	DSLANS401045NS
		2	DSLANS402045NS
		3.5	DSLANS403545NS
		5.0	DSLANS405045NS

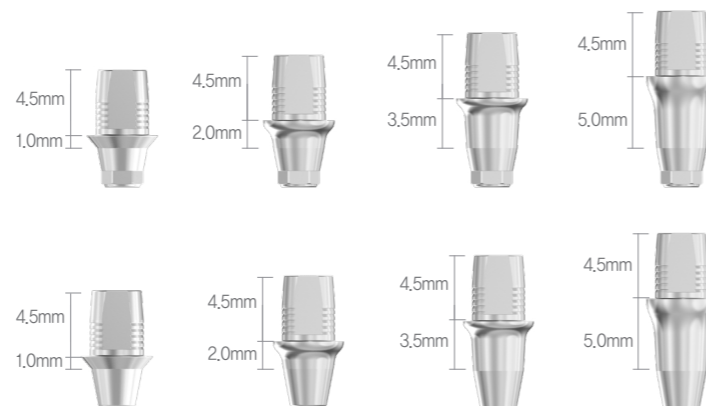
Screw Code : DSASS



Regular

Abutment Diameter	Hex	G/H	Code No.
Ø 4.8	HEX	1	DSLARS481045HS
		2	DSLARS482045HS
		3.5	DSLARS483545HS
		5.0	DSLARS485045HS
	N-HEX	1	DSLARS481045NS
		2	DSLARS482045NS
		3.5	DSLARS483545NS
		5.0	DSLARS485045NS

Screw Code : 2DSAS



Digital Analog



Digital Lab Analogs are used for making models with a 3D printer

Type	Code No.
Narrow	DSDLANS
Regular	DSDLARS



Tighten screw from the bottom

Multi Use Coping

Abutment Diameter	G/H	IH	Code No.
Ø4.5	2mm	4mm	DSMUC4524S
	3mm		DSMUC4534S
	4mm		DSMUC4544S
	6mm		DSMUC4564S
	8mm		DSMUC4584S

※Set code : Multi Use Coping + Screw
 * G/H : Gingival Height * IH : Impression Height



Abutment Diameter	G/H	IH	Code No.
Ø5.5	2mm	4mm	DSMUC5524S
	3mm		DSMUC5534S
	4mm		DSMUC5544S
	6mm		DSMUC5564S
	8mm		DSMUC5584S

※Set code : Multi Use Coping + Screw
 * G/H : Gingival Height * IH : Impression Height



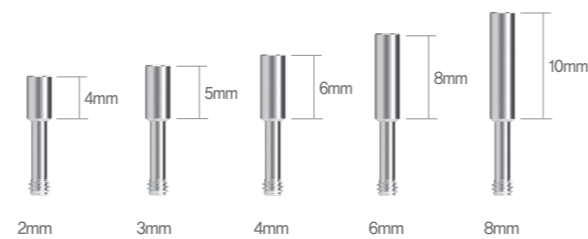
Abutment Diameter	G/H	IH	Code No.
Ø6.5	2mm	4mm	DSMUC6524S
	3mm		DSMUC6534S
	4mm		DSMUC6544S
	6mm		DSMUC6564S
	8mm		DSMUC6584S

※Set code : Multi Use Coping + Screw
 * G/H : Gingival Height * IH : Impression Height



Multi Use Coping Screw

G/H	Code No.
2mm	DSHHS02
3mm	DSHHS03
4mm	DSHHS04
6mm	DSHHS06
8mm	DSHHS08



Impression Cap

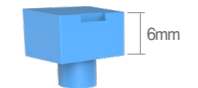
Code No.
DSHITIC

※ 1 Set = 5EA



Bite Cap

Code No.
DSHIBCS
DSHIBCL



Healing Cap

Abutment Diameter	Code No.
Ø4.5/Ø5.5/Ø6.5	DSHIHC45
	DSHIHC55
	DSHIHC65



Multi Use Holder

Code No.
DHIHS
DHIHL

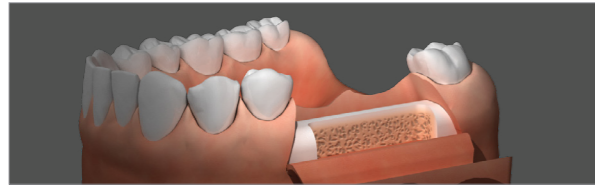


Short



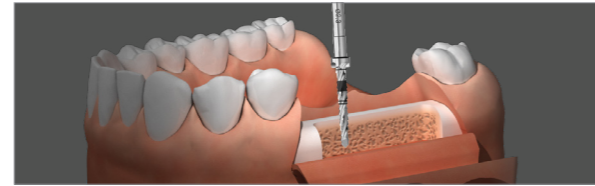
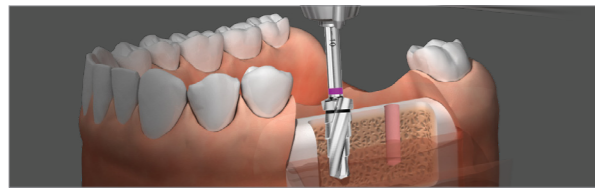
Long

SQ Surgical Manual



1. Incision

- Make an incision in the area where the implant will be placed.

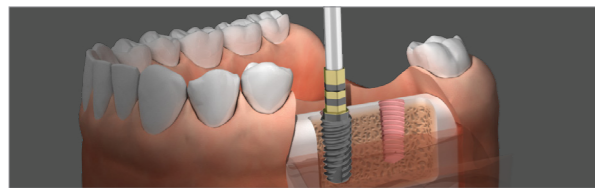


2. Lindemann Drill

- Make a guide hold for the initial drilling by using point drill.
- We recommend 1,000RPM while drilling as well as continued drilling that reaches the bottom of the laser-marked line.

3. Straight/Step Drill

- We recommend 1,000RPM while drilling as well as continued drilling that reaches the bottom of the laser-marked line.
- ※ RPM can be set diversely depending on the bone density.
- Choose the appropriate drill that is equal to the length of fixture to be placed and then drilling that continues to the own stopper.

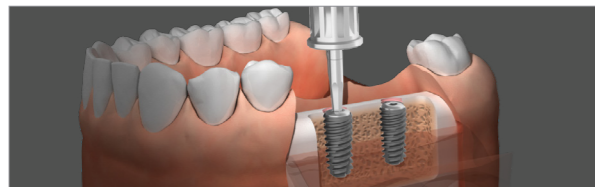


4. Countersink

- We recommend 800~1,000RPM while drilling as well as continued drilling that reaches the bottom of the laser-marked line.
- ※ RPM can be set diversely depending on the bone density.
- In case of D1-D2 bone, drill until upper line of laser marking, in case of D3-D4 bone, drill until lower line of laser marking.

5. Fixture placement [1]

- Place the fixture with s-Clean No-Mount Driver, a component of Surgical Kit set.
- We recommend 20RPM-30Ncm/ Max 40Ncm.
- For Narrow fixtures, recommending 20RPM-20Ncm / Max 30Ncm.

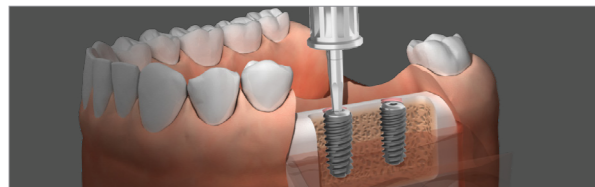


6. Fixture placement [2]

- Place the fixture with s-Clean Ratchet Driver, a component of Surgical Kit set, s-Clean Torque Ratchet connected.
- Placing that continues to the laser-marked line on the driver.
- It should be caution against too excessive torque.

7. Cover Screw Connection

- Remove the cover screw from the Ampoule case using a 1.25 hex hand driver, and then connect the screw to the fixture.
- Recommend torque for cover screw is 5-8Ncm



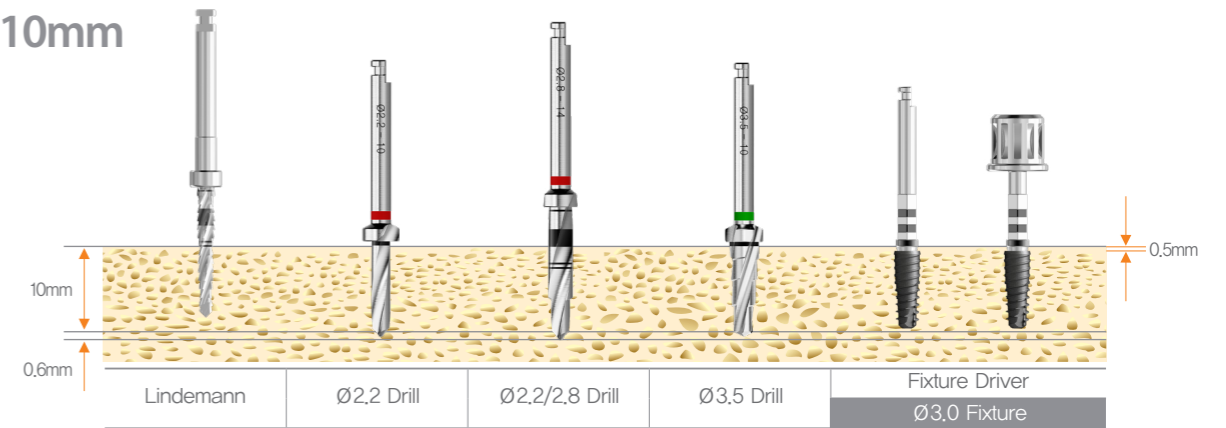
8. Suture

- After connecting the cover screw to the fixture, suture the incised gingiva.
- Make sure there is enough attached gingiva for stability.

SQ Drilling Sequence

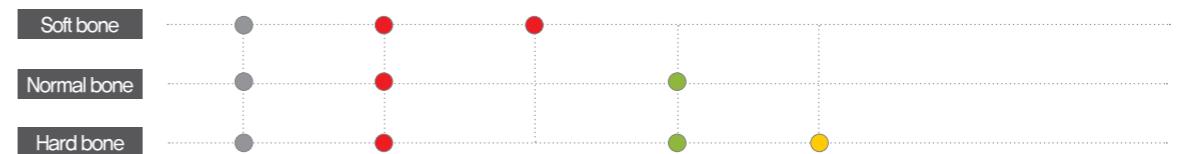
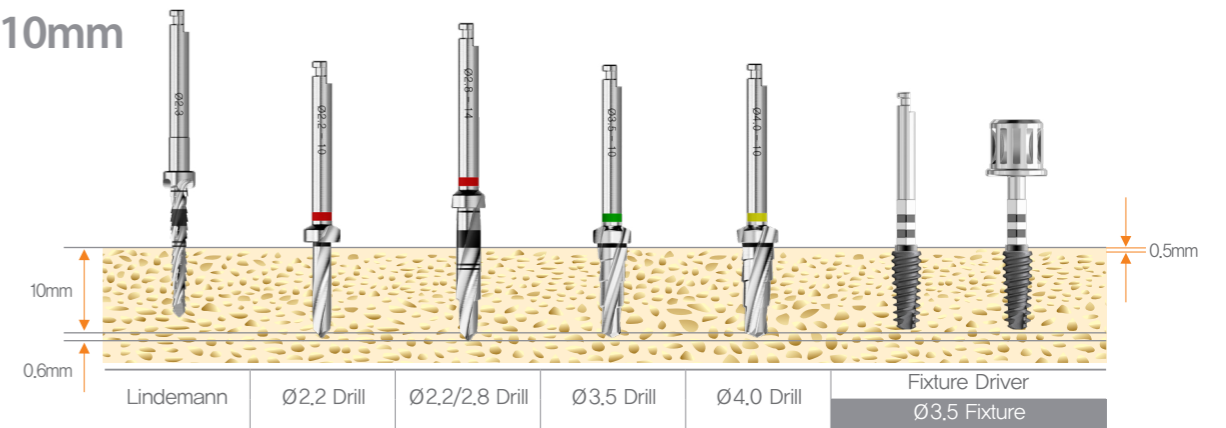
When place fixture, Drilling has to 0.5mm deeper than fixture length and place fixture 0.6mm lower than bone level.

Ø3.0 x 10mm



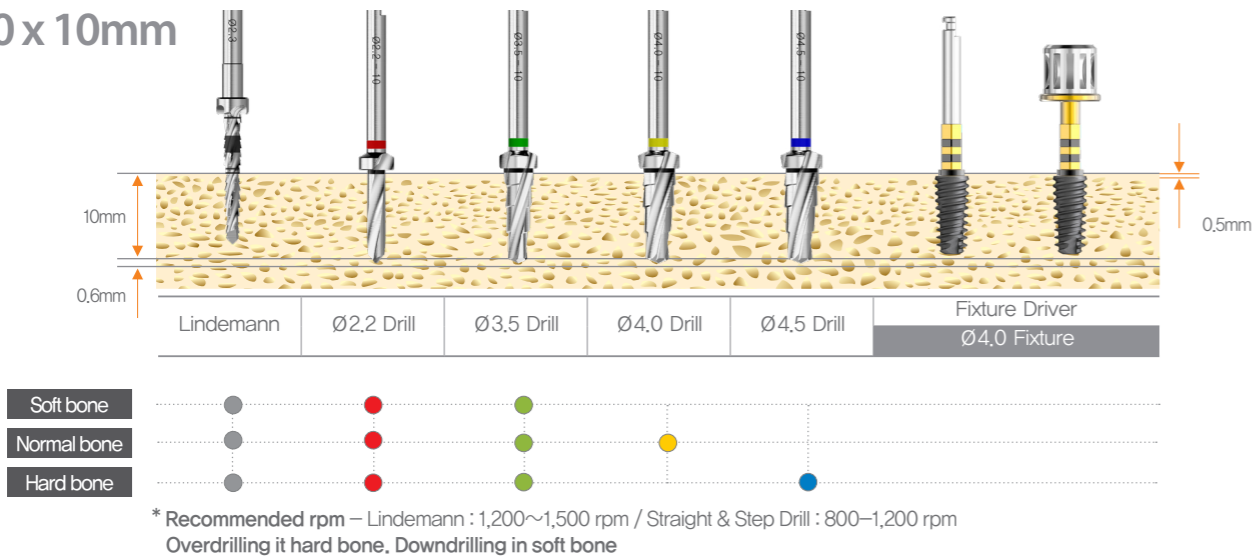
* Recommended rpm - Lindemann : 1,200~1,500 rpm / Straight & Step Drill : 800~1,200 rpm
Overdrilling it hard bone. Downdrilling in soft bone

Ø3.5 x 10mm

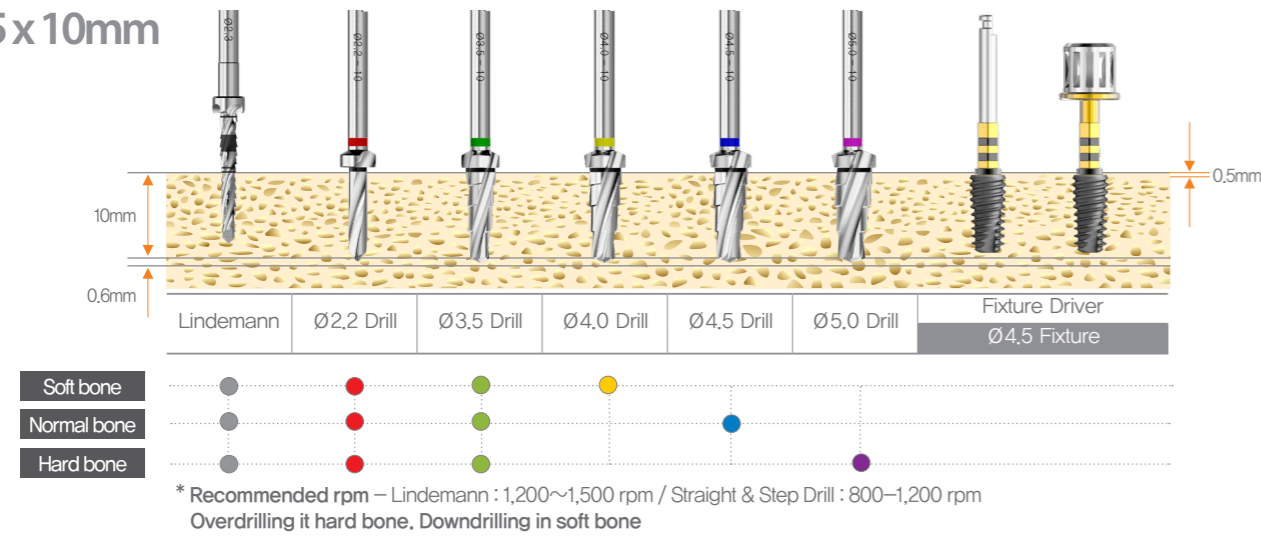


* Recommended rpm - Lindemann : 1,200~1,500 rpm / Straight & Step Drill : 800~1,200 rpm
Overdrilling it hard bone. Downdrilling in soft bone

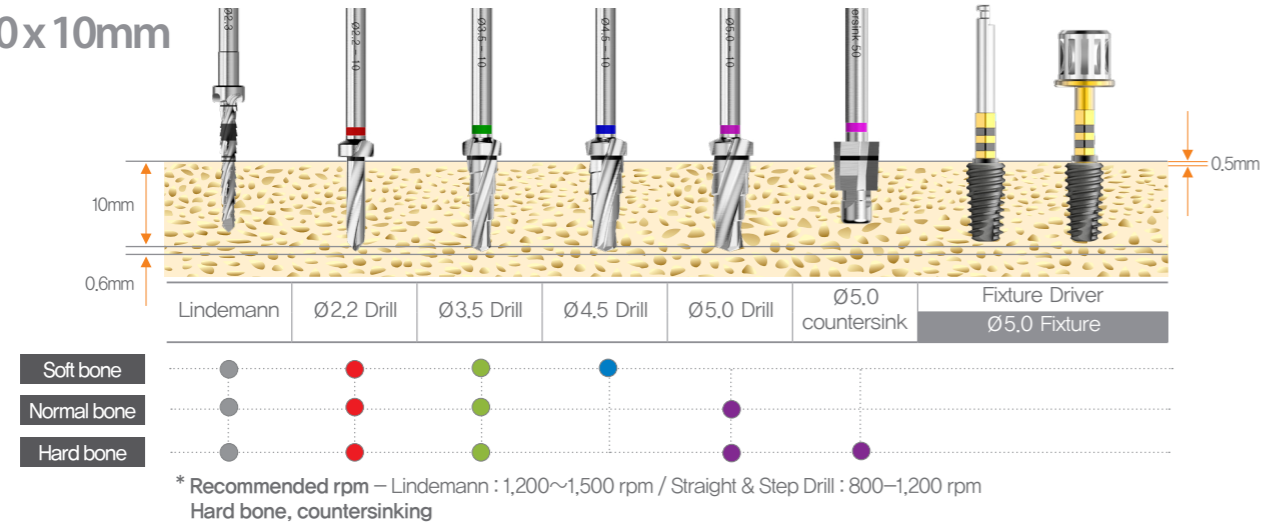
Ø4.0 x 10mm



Ø4.5 x 10mm

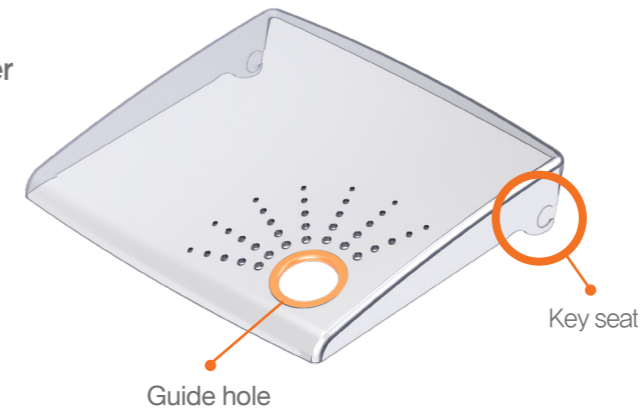


Ø5.0 x 10mm



SQ Surgical Kit

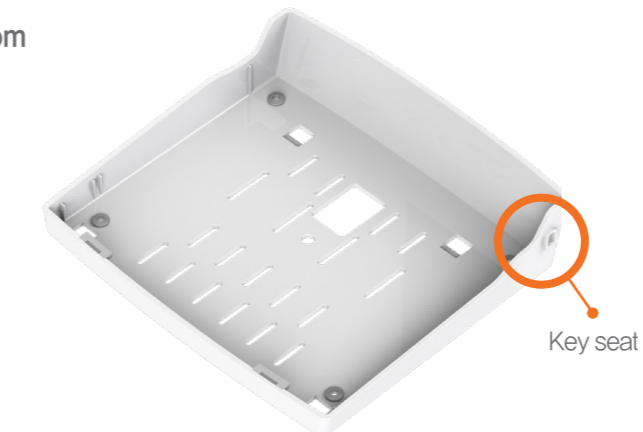
Cover



Middle tray



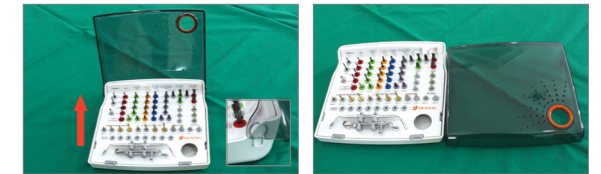
Bottom



SEPARATION



Please raise the cover with finger in the guide hole.



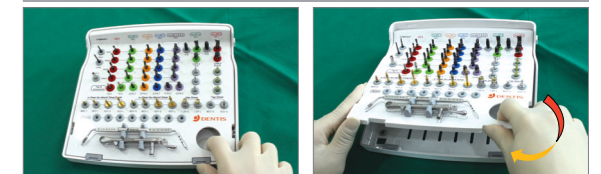
After raising the cover at a right angle, please separate it.

ASSEMBLING



After raising the cover at a right angle, please assemble it with a key seat properly.

REMOVAL



Please raise the middle tray with finger in the guide hole as following this arrow.

ASSEMBLING



The lower part of middle tray is inserted first, and please press the upper part.

Lindemann Drill

DLINDST23	DDE	DSQSD2207	DSQSD2208	DSQSD2210	DSQSD2212	DSQSD2214	DSQSTD2814	DSQSTD3507	DSQSTD3508	DSQSTD3510	DSQSTD3512	DSQSTD3514	DSQSTD4007	DSQSTD4008	DSQSTD4010	DSQSTD4012	DSQSTD4014	DSQSTD4507	DSQSTD4508	DSQSTD4510	DSQSTD4512	DSQSTD4514	DSQSTD5007	DSQSTD5008	DSQSTD5010	DSQSTD5012	DSQSTD5014	DSQCS35	DSQCS40	DSQCS45	DSQCS50
-----------	-----	-----------	-----------	-----------	-----------	-----------	------------	------------	------------	------------	------------	------------	------------	------------	------------	------------	------------	------------	------------	------------	------------	------------	------------	------------	------------	------------	------------	---------	---------	---------	---------

Optional

Lindemann Drill | **Drill Extension** | **Straight / Step Drill** | **Countersink**

Probe Depth Gauge (DPDG) | Torque Ratchet (DTR)

Code - DSQKN

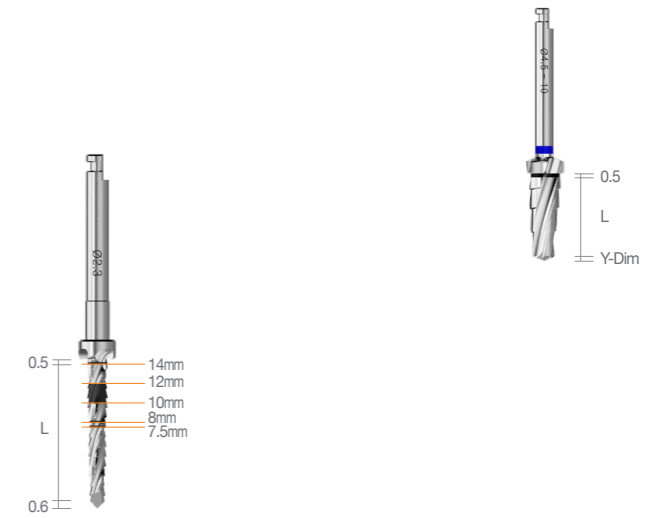
SQ Parallel Pin for Drill	s-Clean No-Mount Driver & Ratchet Driver	s-Clean No-Mount Driver & Ratchet Driver	1.25 Hex Driver	Path Guide Pin for SQ Fixture
DSQPP	DSNDSS DSNDL	DSRDSS DSRDSL	DRHDS125 DRHDL125	DSQPGPS DSQPGPR

SQ Surgical Instrument

Lindemann Drill

Lindemann Drill	L
DLINDST23	14

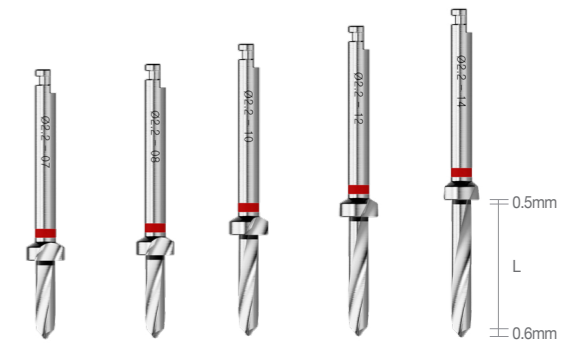
※ For side cutting to change drilling path



SQ Straight Drill

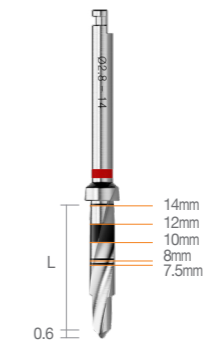
Ø2.2	L
DSQSD2207	7.5
DSQSD2208	8
DSQSD2210	10
DSQSD2212	12
DSQSD2214	14

※ To prepare the installation site, reaching final width and depth with fixture-size color coding



Step Drill 2.8

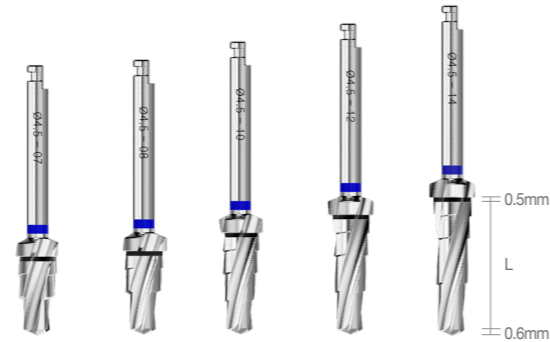
Ø2.8	L
DSQSD2814	14



Step Drill

Ø3.5 Twist	Ø4.0 Twist	Ø4.5 Twist	Ø5.0 Twist	L
DSQSTD3507	DSQSTD4007	DSQSTD4507	DSQSTD5007	7.5
DSQSTD3508	DSQSTD4008	DSQSTD4508	DSQSTD5008	8
DSQSTD3510	DSQSTD4010	DSQSTD4510	DSQSTD5010	10
DSQSTD3512	DSQSTD4012	DSQSTD4512	DSQSTD5012	12
DSQSTD3514	DSQSTD4014	DSQSTD4514	DSQSTD5014	14

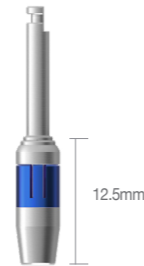
※ To prepare the installation site, reaching final width and depth with fixture-size color coding



Drill Extension

Code No.
DDE

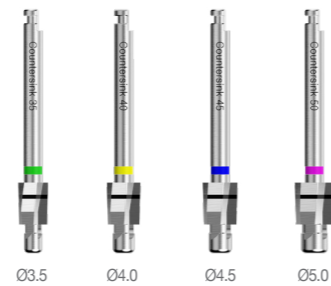
※ To extend drill length



Countersink

Ø3.5	Ø4.0	Ø4.5	Ø5.0
DSQCS35	DSQCS40	DSQCS45	DSQCS50

※ Used to enlarge the opening of an implant site to the exact implant diameter to reduce the pressure in the bone around the implant neck specially when bone is dense



1.25 Hex Driver

	Extra Short	Short	Long	Extra Long
Code No.	*DRHDES125	DRHDS125	DRHDL125	*DRHD23125
L	5.8	10	15	23
				*DRHD35125
				35

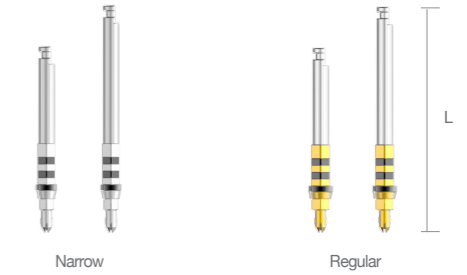
※ Cover Screw, Abutment Screw, Healing Abutment 체결시 사용
* Option



No-Mount Driver

	Narrow (Short)	Narrow (Long)	Regular (Short)	Regular (Long)
Code No.	DSNDSS	DSNDSL	DSNDS	DSNDL
L	23.4	29.4	26.9	29.7

※ To place a fixture with a hand-piece

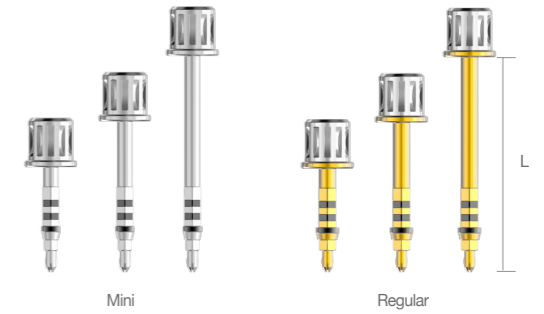


Ratchet Driver

	Narrow (Short)	Narrow (Long)	Narrow (Extra Long)	Regular (Short)	Regular (Long)	Regular (Extra Long)
Code No.	DSRDSS	DSRDSL	*DSRDSEL	DRMDSS	DRMDSL	*DRMDSEL
L	12.2	19.3	29.3	15.7	22.8	29.3

※ To place a fixture with a ratchet

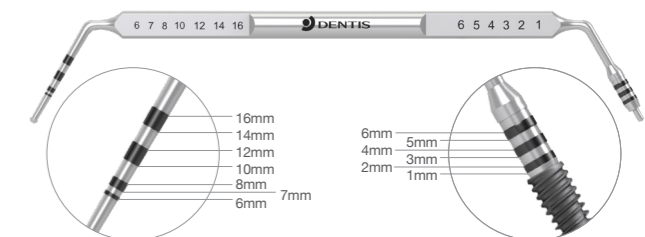
* : Option



Probe Depth Gauge

Code No.
DPDG

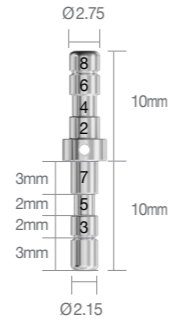
※ To verify the drilling depth or tissue volume



SQ Parallel Pin for Drill

Code No.
DSQPP

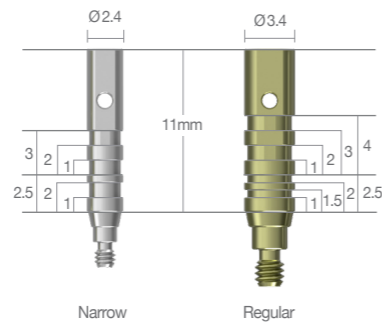
※ To evaluate the initial orientation of the pilot hoe after drilling



Path Guide Pin for SQ Fixture

	Narrow	Regular
Code No.	DSQPGPS	DSQGPGR

※ To evaluate the path after fixture placement



Torque Ratchet

Code No.
DTR

※ to be used for the final manual seating of the implant.



Guide Wheel KIT

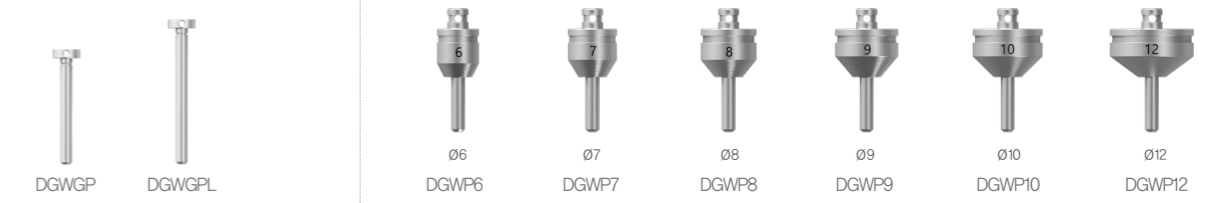


Guide Wheel Initial Drill Guide Wheel



KIT Code : DGWK

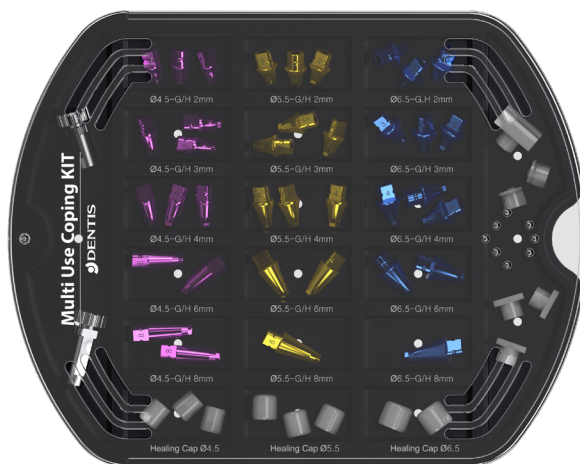
Guide Pole Guide Pin (Separate Purchase)



Multi Use Coping KIT

Impression Coping + Impression Cap
+ Bite Cap

Multi Use Coping is used to tighten the Fixutre and select the compression cap and the Bite cap for the case to achieve a precise impression.



KIT Code : DHIK